



STANDARD DC FAN PRODUCTS AND VALUE ADDED MANUFACTURING



COFAN USA



COFAN-USA
48664 Milmont Drive
Fremont, CA 94538 USA

+1 (510) 490 7533
info@cofan-usa.com
www.cofan-usa.com

- >25 years of cooling systems experience
- US inventory of standard cooling products
- US design, fabrication and assembly
- China, Taiwan and S. Korea manufacturing
- ISO 9001:2015 /1 4001:2015 Qualified

THE COMPANY

Established in 1994, COFAN USA provides advanced, customized solutions to serve our partners' unique needs and allow them to succeed in their markets. While we started out as a company dedicated to cooling solutions for electronic and industrial applications, over time we have expanded to provide innovative solutions in the PCB and LED industries as well. We strive to deliver quick, customized, and professional solutions to our clients by adhering to the highest standards of quality and service.

QUALITY

At Cofan, we stand behind every product we ship with rigorous testing and reporting included in every shipment. Inspection begins with components at our dock and concludes with system level testing of final products. Our Quality Assurance engineers and technicians are dedicated ensure the quality designed into our processes and every product we touch.

CERTIFICATIONS:

To establish and maintain the the highest quality practices, we have certified our manufacturing facilities to ISO-9001 standards and our heat sink fabrication facility to the ISO 14001 standard (environmental management). We also comply with OHSAS 18001 for employee safety. All our standard products are UL and CSA certified, and RoHS compliant.



COFAN-USA

Silicon Valley

25,000 ft² Warehouse
3,000 ft² Assembly
35,000 ft² Administration



COFAN PRECISION

Silicon Valley

10,000 ft²
CNC Machining and
Sheet Metal Fabrication



Adding Value to our Standard Products

THERMAL SIMULATION

We provide the best thermal simulation services in the industry utilizing our 25+ years experience with 6SigmaET, Solidworks, Altium, Flotherm, ANSYS Icepack, and Pro/E software tools. Our capabilities reduce the time and costs related to development of the right thermal solution for our customers. We offer CFD analysis and consultation for the best possible arrangements and recommendations in thermal solutions. Whether you have a completely new product in need of a thermal solution or you have an existing product with non-functioning parts, COFAN is here to assist you.

MECHANICAL ENGINEERING

We offer a wide range of mechanical engineering solutions with extensive experience with extrusion, sheet metal enclosures, injection molding, vacuum forming, die-casting, and precision machining. Our diverse client base has provided us with a massive library of designs that we can easily adapt to any industry or application. Our local and offshore manufacturing and fabrication facilities make us the ideal partner from design through large scale manufacturing.

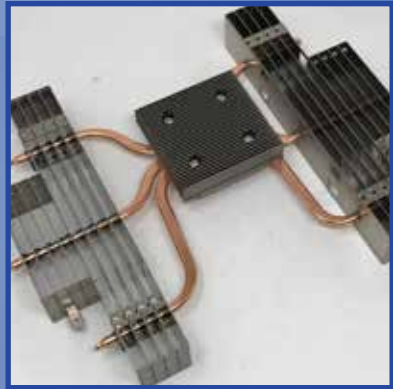
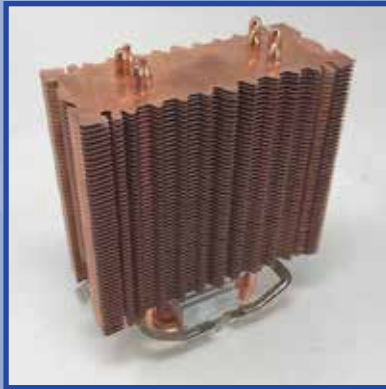
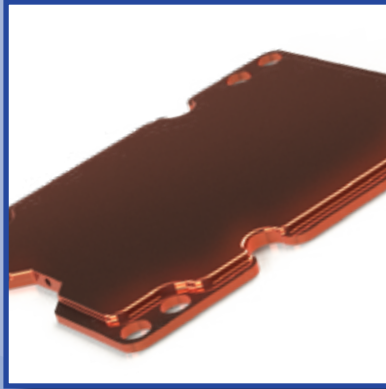
MANUFACTURING PROCESSES

- » Passivation
- » Grinding
- » Soldering
- » Water Jet Cutting
- » Turning
- » Press Brake Forming
- » Die Casting
- » Cold Forging
- » Drilling
- » Masking
- » Epoxy Isolation
- » Wirecut
- » Welding
- » Extrusion
- » Sheet Metal
- » Extrusion
- » Electrical Discharge Machining (EDM)
- » CNC Milling (-3, 4, 5 Axis)
- » Friction Stir Welding
- » Laser Cutting Machine
- » Punching
- » Stamped Metal Fin
- » Plastic (Injection Molding)
- » Skived Fins

FINISHING OPTIONS

- » Anodized
- » Degreased
- » Silk Screened
- » Painted
- » Nickel Plated
- » Electrophoresis Coated
- » Chromated (RoHS Compliant)
- » Antioxidation (For Copper)





GENERAL SPECIFICATIONS

Material	Frame, Impeller: Plastics, Aluminum, etc.
Operation Environment	Two ball bearing: -10°C~+70°C (35%~85%RH) FMB: -10°C~+50°C (35%~85%RH)
Storage Temperature	-40°C +75°C (Humidity: 35%~85%RH)
Insulation Resistance	5mA MAX. at 500 VAC 60Hz one minute (between frame and lead conductor)
Vibration Resistance Test	Applied 5.30Hz, 0.04 peak to peak amplitude, 30~500Hz, 2G peak amplitude for five minutes all three axis/5.3Hz,0.04
Shock Test	Under the conditions of 60G, 22ms (1/2 sine), two times to all three axis
Noise	Expressed as the value at 1m from air inlet side
Life Expectancy (L10 at 40°C)	
Two ball bearing type	30,000hr~100,000hr
FMB bearing type	30,000hr~60,000hr
Sleeve bearing type	20,000hr~30,000hr

STATUS & CONTROL FUNCTIONS

see each series for available options



FG (Tacho) Signal (FG)

The speed of the fan can be controlled via a voltage signal carried by a dedicated input wire.



Analogue Control Input

An additional wire is offered to output a voltage signal when the fan is stationary (operating). It is a useful functionality to identify a non-operating (operating) fan.



Rotation Detector Signal (RD)

An additional wire is offered to output an oscillating voltage output which can be used by the system to infer the fan speed.



Temperature Control

A NTC thermistor is connected to the fan and the fan speed varies with the temperature measured by the thermistor.



PWM Control

The speed of the fan can be controlled via a pulse-width-modulated (PWM) signal carried by a dedicated input wire.



IP Protection

Provide waterproof fans meeting ICE standard 60529.

DC FAN INDEX

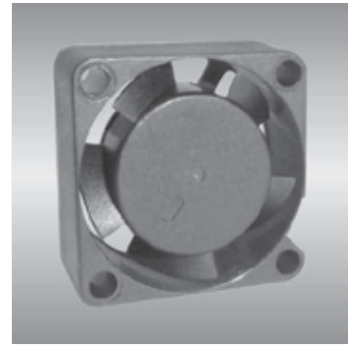
Fan Guards and Fan Screws on pages 60 & 61

DIMENSIONS	SERIES	CFM	VDC	BEARING	STATUS CONTROL	PAGE
20 x 06mm	AGE02006	0.35-1.06	5V	F	TACH RD	7
25 x 10mm	AGE02510	0.52-2.41	5 / 12	B/F	TACH RD PWM IP	8
30 x 10mm	AGE03010	2.99-5.65	5 / 12	B/F	TACH RD PWM IP	9
35 x 10mm	AGE03510	2.10-6.30	5 / 12	B	TACH RD PWM IP	10
38 x 20mm	AGE03820	6.30-10.60	5 / 12	B	TACH RD PWM IP	11
38 x 28mm	AGB03828	9.44-20.80	5 / 12	B	TACH RD PWM IP	12
40 x 10mm	AGE04010	4.7-12.2	5 / 12	B/F	TACH RD PWM IP	13
40 x 15mm	AGE04015	5.06-9.57	12 / 24	B	TACH RD PWM IP	14
40 x 20mm	AGE04020	7.4-11.6	12 / 24	B/F	TACH RD PWM IP	15
40 x 20mm	AGS04020	7.4-11.1	12 / 24	B/F	TACH RD PWM IP	16
40 x 20mm	AGB04020	9.4-19.8	12	B	TACH RD PWM IP	17
40 x 28mm	AGB04028	13.8-23.8	12 / 24	B	TACH RD PWM IP	18
40 x 28mm	AGV04028	15.2-21.3	12	B	TACH RD PWM IP	19
40 x 28mm	AGD04028	29.5-31.3	12	B	TACH RD PWM IP	20
50 x 10mm	AGE05010	6.7-12.7	5 / 12 / 24	B/F	TACH RD PWM IP	21
50 x 15mm	AGC05015	9.9-17.0	12 / 24	B/F	TACH RD PWM IP	22
50 x 20mm	AGE05020	10.1-20.3	12 / 24	B	TACH RD PWM IP	23
60 x 10mm	AGE06010	17.4-24.3	5 / 12 / 24	B/F	TACH RD PWM IP	24
60 x 15mm	AGE06015	15.0-26.5	5 / 12 / 24	B/F	TACH RD PWM IP	25
60 x 20mm	AGE06020	13.5-16.9	12	B	TACH RD PWM IP	26
60 x 25mm	AGE06025	14.1-34.8	12 / 24 / 48	B/F	TACH RD PWM IP TEMP ANALOG	27
60 x 25mm	AGF06025	17.1-55.5	12 / 24 / 48	B/F	TACH RD PWM IP TEMP ANALOG	28
60 x 38mm	AGB06038	43.1-67.3	12 / 24	B	TACH RD PWM IP	29
60 x 38mm	AGX06038	41.1-70.3	12 / 24	B	TACH RD PWM IP	30
70 x 10mm	AGN07010	18.9-29.4	5 / 12 / 24	B/F	TACH RD PWM IP	31
70 x 15mm	AGE07015	21.1-33.5	12 / 24	B	TACH RD PWM IP	32
70 x 25mm	AGE07025	30.0-54.8	12 / 24 / 48	B	TACH RD PWM IP	33
80 x 15mm	AGE08015	22.0-45.2	12 / 24	B/F	TACH RD PWM IP	34
80 x 20mm	AGE08020	27.4-51.2	12 / 24	B	TACH RD PWM IP	35
80 x 25mm	AGE08025	31.8-60.0	5 / 12 / 24 / 48	B/F	TACH RD PWM IP TEMP ANALOG	36
80 x 25mm	AGD08025	47.5-83.6	5 / 12 / 24 / 48	B/F	TACH RD PWM IP TEMP ANALOG	37
80 x 25mm	AGC08025	34.6-61.2	12 / 24 / 48	B/F	TACH RD PWM IP	38
80 x 32mm	AGE08032	38.2-89.2	12 / 24	B	TACH RD PWM IP	39
80 x 38mm	AGV08038	45.2-105.0	12 / 24 / 48	B	TACH RD PWM IP	40
80 x 38mm	AGB08038	58.2-130.0	12 / 24 / 48	B	TACH RD PWM IP	41
80 x 38mm	AGX08038	58.2-130.0	12 / 24 / 48	B	TACH RD PWM IP	42
92 x 25mm	AGE09225	37.0-76.1	12 / 24 / 48	B/F	TACH RD PWM IP TEMP ANALOG	43
92 x 25mm	AGC09225	39.2-81.0	12 / 24 / 48	B/F	TACH RD PWM IP	44
92 x 25mm	AGD09225	39.2-81.0	12 / 24	B	TACH RD PWM IP	45
92 x 32mm	AGE09232	39.2-81.0	2 / 24	B	TACH RD PWM IP	46
92 x 38mm	AGB09238	97.1-166.4	12 / 24 / 48	B	TACH RD PWM IP	47
92 x 38mm	AGX09238	85.0-182.1	12 / 24 / 48	B	TACH RD PWM IP	48
120 x 38mm	AGE12025	40.6-85.5	12 / 24	B/F	TACH RD PWM IP	49
120x25mm	AGD12025	90.0-119.4	12 / 24 / 48	B	TACH RD PWM IP	50
120x25mm	AGC12025	67.7-121.1	12 / 24 / 48	B	TACH RD PWM IP	51
120x38mm	AGE12038	101.4-178.4	12 / 24 / 48	B	TACH RD PWM IP TEMP ANALOG	52
120x38mm	AGF12038	101.4-178.4	12 / 24 / 48	B	TACH RD PWM IP TEMP ANALOG	53
120x38MM	AGD12038	190.5-241.0	12 / 24 / 48	B	TACH RD PWM IP TEMP ANALOG	54
120X38mm	AGB12038	171.4-265.8	12 / 24 / 48	B	TACH RD PWM IP	55
140x38mm	AGB14038	212.6-310.8	12 / 24 / 48	B	TACH RD PWM IP	56
150x172x51mm	AGE15051	263.0-378.0	24 / 48	B	TACH RD PWM IP TEMP ANALOG	57
150x172x51mm	AGF15051	263.0-378.0	24 / 48	B	TACH RD PWM IP TEMP ANALOG	58
254x89mm	AGE25489	506.0-747	24 / 48	B	-	59

20

AGE series

20X20X06mm



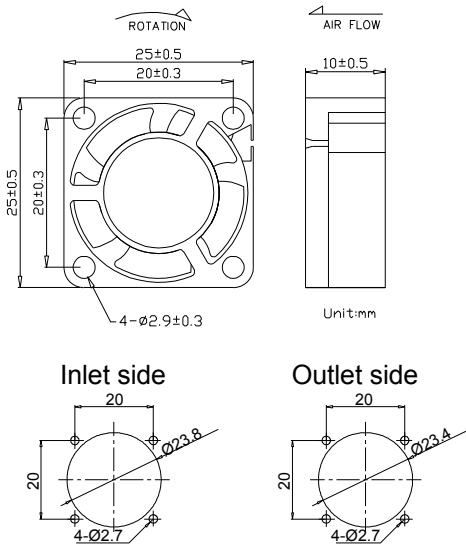
● General Specification

- Material ----- Frame & Impeller : PBT (UL94V-0)
- Operation Temp. -- Two ball bearing : -10°C~70°C
Fluid bearing : -10°C~50°C
- Lead Wires ----- UL 1571 AWG#32 (2 wires) / 32 (3 wires)
Red Wire : + Yellow Wire : Tach signal
Black Wire : -
- Weight ----- 7g

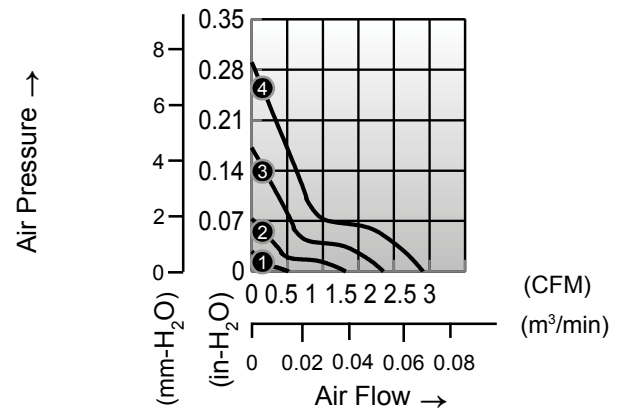
● Specification *Bearing system B:two ball bearing F:fluid bearing

Model	*Bearing System	Rated Voltage	Operating Voltage	Rated Current	Rated Speed	Maximum Air Flow	Maximum Air Pressure	Sound Level	P-Q Curve		
P/N	B / F	V	V	A	RPM	m³/min	CFM	mm-H ₂ O	In-H ₂ O	dB-A	No.
AGE02006F05L	F	5	4.5~5.5	0.02	7000	0.01	0.35	0.81	0.03	10	①
AGE02006F05M	F	5	4.5~5.5	0.05	10000	0.02	0.71	1.9	0.07	16	②
AGE02006F05H	F	5	4.5~5.5	0.10	13000	0.03	1.06	3.2	0.13	16	③

● Drawing & Panel Cut Outs



● Characteristic Curves



25

AGE series

25X25X10mm



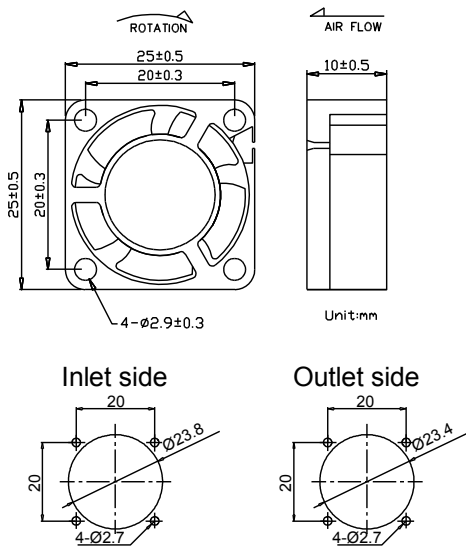
General Specification

- Material ----- Frame & Impeller : PBT (UL94V-0)
- Operation Temp. -- Two ball bearing : -10°C~70°C
Fluid bearing : -10°C~50°C
- Lead Wires ----- UL 1571 AWG#28 (2 wires) / 28 (3 wires) / 28 (4 wires)
Red Wire : + Yellow Wire : Tach signal
Black Wire : - Blue Wire : PWM control
- Weight ----- 8g

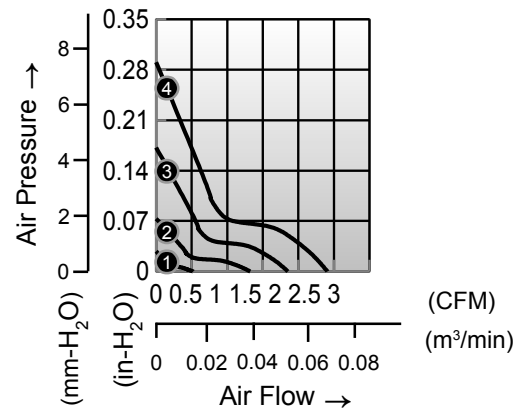
Specification *Bearing system B:two ball bearing F:fluid bearing

Model	*Bearing System	Rated Voltage	Operating Voltage	Rated Current	Rated Speed	Maximum Air Flow		Maximum Air Pressure		Sound Level	P-Q Curve
P/N	B / F	V	V	A	RPM	m ³ /min	CFM	mm-H ₂ O	In-H ₂ O	dB-A	No.
AGE02510 * 05J	B / F	5	4.5~5.5	0.05	4000	0.01	0.52	0.75	0.03	10	①
AGE02510 * 05L	B / F	5	4.5~5.5	0.08	7000	0.04	1.32	1.9	0.07	20	②
AGE02510 * 05M	B / F	5	4.5~5.5	0.13	10000	0.05	1.85	4.4	0.17	24	③
AGE02510 * 12L	B / F	12	7.0~13.2	0.07	7000	0.04	1.32	1.9	0.07	20	①
AGE02510 * 12M	B / F	12	7.0~13.2	0.08	10000	0.05	1.85	4.4	0.17	24	②
AGE02510 * 12H	B / F	12	7.0~13.2	0.12	13000	0.07	2.41	7.3	0.29	28	③

Drawing & Panel Cut Outs



Characteristic Curves



30

AGE series

30X30X10mm



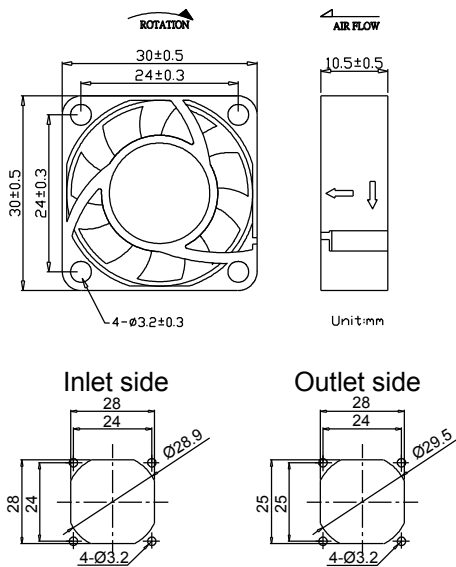
General Specification

- Material ----- Frame & Impeller : PBT (UL94V-0)
- Operation Temp. -- Two ball bearing : -10°C~70°C
Fluid bearing : -10°C~50°C
- Lead Wires ----- UL 1571 AWG#28 (2 wires) / 28 (3 wires) / 28 (4 wires)
Red Wire : + Yellow Wire : Tach signal
Black Wire : - Blue Wire : PWM control
- Weight ----- 10g

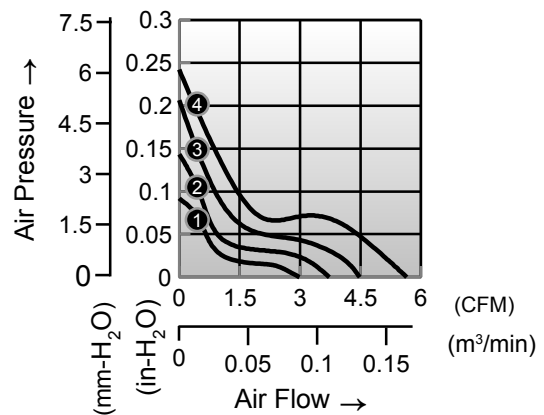
Specification *Bearing system B:two ball bearing F:fluid bearing

Model	*Bearing System	Rated Voltage	Operating Voltage	Rated Current	Rated Speed	Maximum Air Flow	Maximum Air Pressure	Sound Level	P-Q Curve		
P/N	B / F	V	V	A	RPM	m ³ /min	CFM	mm-H ₂ O	In-H ₂ O	dB-A	No.
AGE03010 * 05L	B / F	5	4.5~5.5	0.09	6000	0.08	2.99	2.33	0.09	17	①
AGE03010 * 05M	B / F	5	4.5~5.5	0.12	7500	0.11	3.73	3.65	0.14	24	②
AGE03010 * 05H	B / F	5	4.5~5.5	0.22	9000	0.13	4.48	5.25	0.21	29	③
AGE03010 * 05U	B / F	5	4.5~5.5	0.25	11000	0.16	5.65	6.15	0.24	31	④
AGE03010 * 12L	B / F	12	7.0~13.2	0.03	6000	0.08	2.99	2.33	0.09	17	①
AGE03010 * 12M	B / F	12	7.0~13.2	0.05	7500	0.11	3.73	3.65	0.14	24	②
AGE03010 * 12H	B / F	12	7.0~13.2	0.07	9000	0.13	4.48	5.25	0.21	29	③
AGE03010 * 12U	B / F	12	7.0~13.2	0.13	11000	0.16	5.65	6.15	0.24	31	④

Drawing & Panel Cut Outs



Characteristic Curves



35

AGE series

35X35X10mm



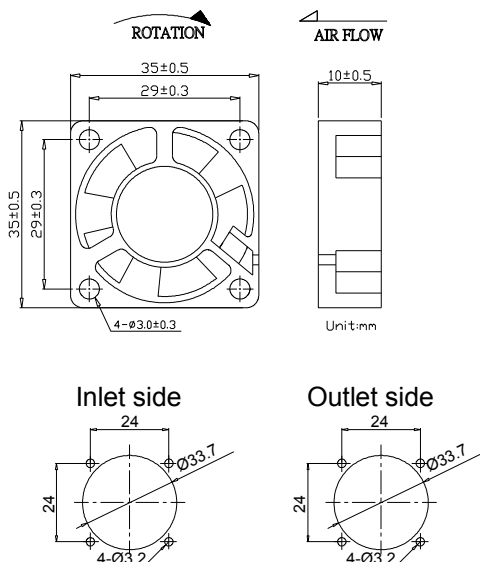
● General Specification

- Material ----- Frame & Impeller : PBT (UL94V-0)
- Operation Temp. -- Two ball bearing : -10°C~70°C
Fluid bearing : -10°C~50°C
- Lead Wires ----- UL 1571 AWG#28 (2 wires) / 28 (3 wires) / 28 (4 wires)
Red Wire : + Yellow Wire : FG/RD signal
Black Wire : - Blue Wire : PWM control
- Weight ----- 11g

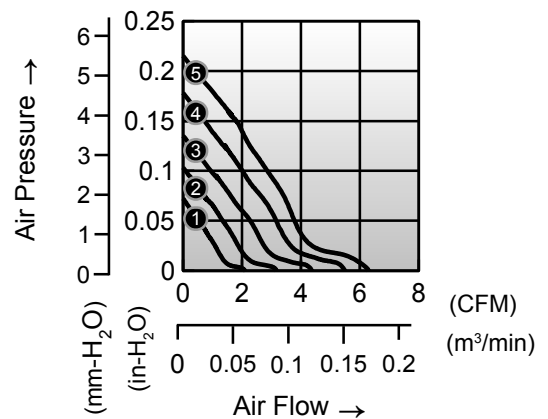
● Specification *Bearing system B:two ball bearing F:fluid bearing

Model	*Bearing System	Rated Voltage	Operating Voltage	Rated Current	Rated Speed	Maximum Air Flow		Maximum Air Pressure		Sound Level	P-Q Curve
P/N	B / F	V	V	A	RPM	m³/min	CFM	mm-H ₂ O	In-H ₂ O	dB-A	No.
AGE03510B05M	B	5	4.5~5.5	0.05	5000	0.06	2.10	1.8	0.07	18	①
AGE03510B05H	B	5	4.5~5.5	0.06	6000	0.09	3.17	2.6	0.10	20	②
AGE03510B05U	B	5	4.5~5.5	0.07	7000	0.12	4.37	3.5	0.14	23	③
AGE03510B05V	B	5	4.5~5.5	0.04	8000	0.16	5.51	4.5	0.18	25	④
AGE03510B05W	B	5	4.5~5.5	0.24	9000	0.18	6.30	5.5	0.22	28	⑤
AGE03510B12U	B	12	7.0~13.2	0.03	7000	0.12	4.37	3.5	0.14	23	③
AGE03510B12V	B	12	7.0~13.2	0.04	8000	0.16	5.51	4.5	0.18	25	④
AGE03510B12W	B	12	7.0~13.2	0.09	9000	0.18	6.30	5.5	0.22	28	⑤

● Drawing & Panel Cut Outs



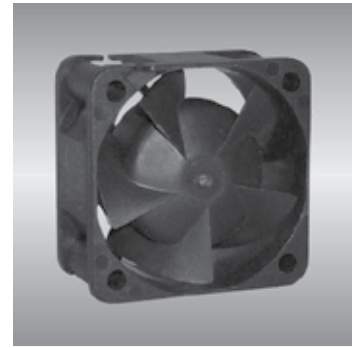
● Characteristic Curves



38

AGE series

38X38X20mm



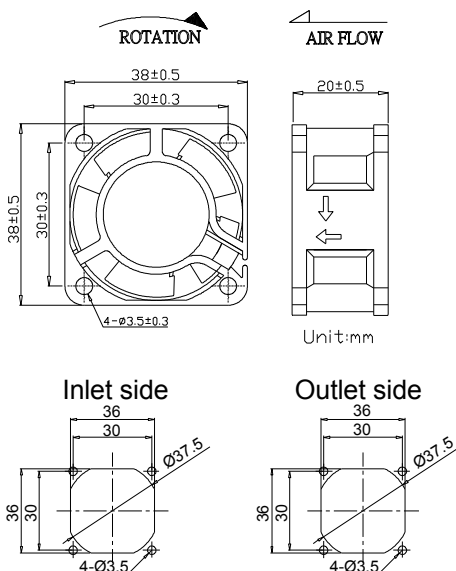
General Specification

- Material ----- Frame & Impeller : PBT (UL94V-0)
- Operation Temp. -- Two ball bearing : -10°C~70°C
Fluid bearing : -10°C~50°C
- Lead Wires ----- UL 1007 AWG#26 (2 wires) / 26 (3 wires) / 26 (4 wires)
Red Wire : + Yellow Wire : Tach signal
Black Wire : - Blue Wire : PWM control
- Weight ----- 31g

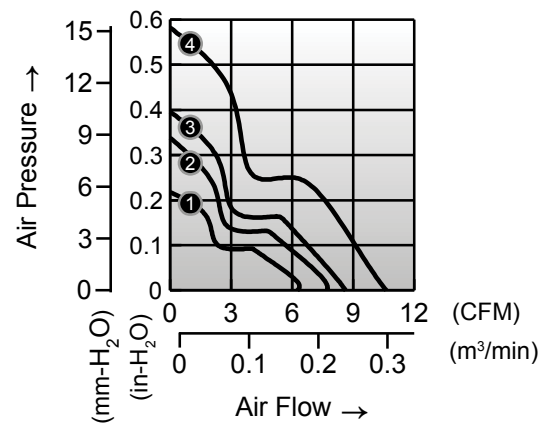
Specification *Bearing system B:two ball bearing F:fluid bearing

Model	*Bearing System	Rated Voltage	Operating Voltage	Rated Current	Rated Speed	Maximum Air Flow	Maximum Air Pressure	Sound Level	P-Q Curve		
P/N	B / F	V	V	A	RPM	m³/min	CFM	mm-H ₂ O	In-H ₂ O	dB-A	No.
AGE03820B12L	B	12	7.0~13.2	0.10	6700	0.18	6.3	5.5	0.22	36	①
AGE03820B12M	B	12	7.0~13.2	0.12	8000	0.21	7.4	8.6	0.34	40	②
AGE03820B12H	B	12	7.0~13.2	0.13	8900	0.24	8.6	10.0	0.39	42	③
AGE03820B12U	B	12	7.0~13.2	0.30	10000	0.30	10.6	14.8	0.58	43	④
AGE03820B24L	B	24	14.0~26.4	0.07	6700	0.18	6.3	5.5	0.22	36	①
AGE03820B24M	B	24	14.0~26.4	0.07	8000	0.21	7.4	8.6	0.34	40	②
AGE03820B24H	B	24	14.0~26.4	0.09	8900	0.24	8.6	10.0	0.39	42	③
AGE03820B24U	B	24	14.0~26.4	0.17	10000	0.30	10.6	14.8	0.58	43	④

Drawing & Panel Cut Outs



Characteristic Curves



38

AGB series

38X38X28mm



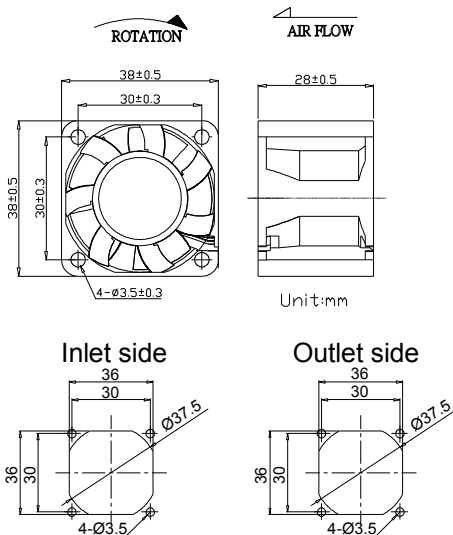
● General Specification

- Material ----- Frame & Impeller : PBT (UL94V-0)
- Operation Temp. -- Two ball bearing : -10°C~70°C
Fluid bearing : -10°C~50°C
- Lead Wires ----- UL 1061 AWG#26 (2 wires) / 26 (3 wire) / 26 (4 wire)
Red wire : + Yellow : Tach signal
Black wire : - Blue : PWM control
- Weight ----- 40g

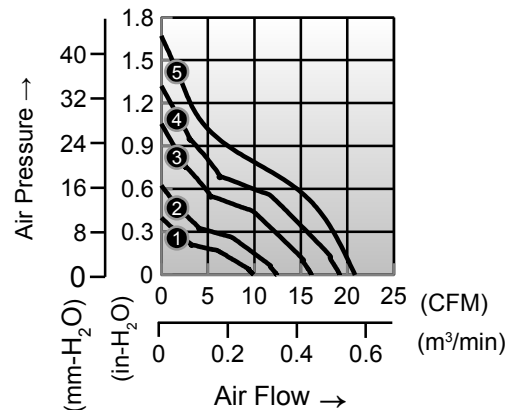
● Specification *Bearing system B:two ball bearing F:fluid bearing

Model	*Bearing System	Rated Voltage	Operating Voltage	Rated Current	Rated Speed	Maximum Air Flow	Maximum Air Pressure	Sound Level	P-Q Curve		
P/N	B / F	V	V	A	RPM	m³/min	CFM	mm-H ₂ O	In-H ₂ O	dB-A	No.
AGB03828B12L	B	12	7.0~13.2	0.11	8000	0.26	9.44	10.02	0.39	38	①
AGB03828B12M	B	12	7.0~13.2	0.15	10000	0.35	12.46	12.46	0.63	44	②
AGB03828B12H	B	12	7.0~13.2	0.29	13000	0.46	16.3	25.91	1.02	51	③
AGB03828B12U	B	12	7.0~13.2	0.48	15000	0.54	19.16	34.71	1.37	55	④
AGB03828B12V	B	12	7.0~13.2	0.85	17000	0.59	20.8	42.4	1.67	59	⑤

● Drawing & Panel Cut Outs



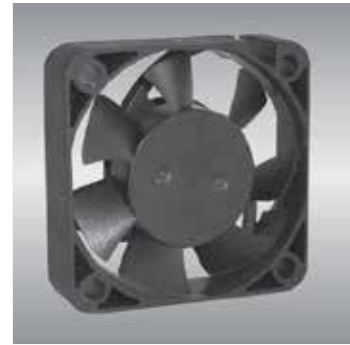
● Characteristic Curves



40

AGE series

40X40X10mm



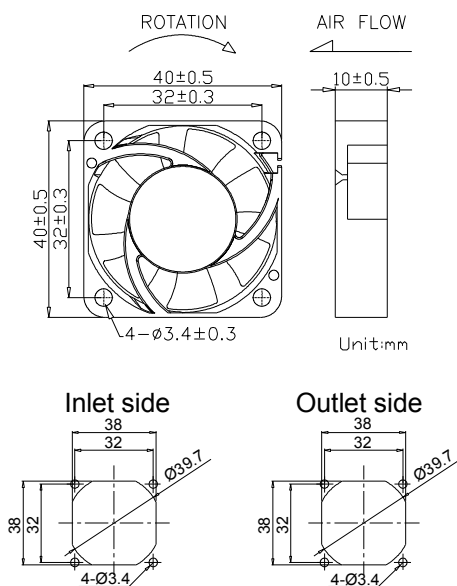
● General Specification

- Material ----- Frame & Impeller : PBT (UL94V-0)
- Operation Temp. -- Two ball bearing : -10°C~70°C
Fluid bearing : -10°C~50°C
- Lead Wires ----- UL 1007 AWG#26 (2 wires) / 28 (3 wires) / 28 (4 wires)
Red Wire : + Yellow Wire : Tach signal
Black Wire : - Blue Wire : PWM control
- Weight ----- 20g

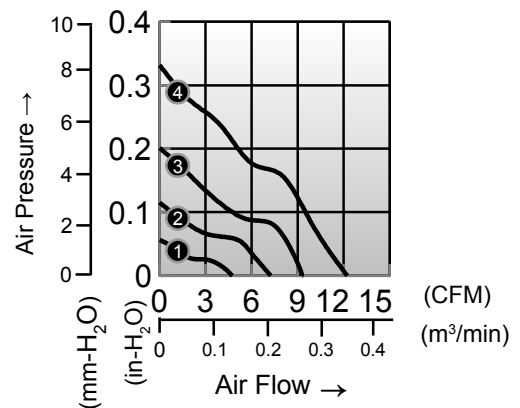
● Specification *Bearing system B:two ball bearing F:fluid bearing

Model	*Bearing System	Rated Voltage	Operating Voltage	Rated Current	Rated Speed	Maximum Air Flow	Maximum Air Pressure	Sound Level	P-Q Curve		
P/N	B / F	V	V	A	RPM	m ³ /min	CFM	mm-H ₂ O	In-H ₂ O	dB-A	No.
AGE04010 * 05L	B / F	5	4.5~5.5	0.14	4000	0.13	4.75	1.42	0.06	21	①
AGE04010 * 05M	B / F	5	4.5~5.5	0.18	6000	0.21	7.24	2.92	0.11	26	②
AGE04010 * 05H	B / F	5	4.5~5.5	0.21	8000	0.26	9.25	5.10	0.20	35	③
AGE04010 * 12M	B / F	12	7.0~13.2	0.10	4000	0.13	4.75	1.42	0.06	21	①
AGE04010 * 12H	B / F	12	7.0~13.2	0.11	6000	0.21	7.24	2.92	0.11	26	②
AGE04010 * 12U	B / F	12	7.0~13.2	0.14	8000	0.26	9.25	5.10	0.20	33	③
AGE04010 * 12V	B / F	12	7.0~13.2	0.18	10000	0.35	12.23	8.43	0.33	39	④
AGE04010 * 24 L	B / F	24	14.0~26.4	0.02	4000	0.13	4.75	1.42	0.06	21	①
AGE04010 * 24M	B / F	24	14.0~26.4	0.08	8000	0.26	9.25	5.10	0.20	33	③
AGE04010 * 24H	B / F	24	14.0~26.4	0.12	10000	0.35	12.23	8.43	0.33	39	④

● Drawing & Panel Cut Outs



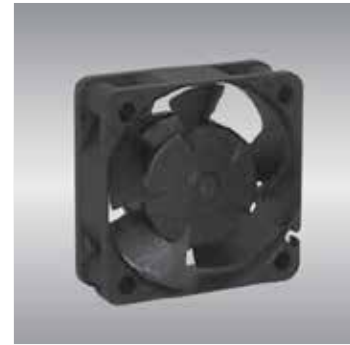
● Characteristic Curves



40

AGE series

40X40X15mm



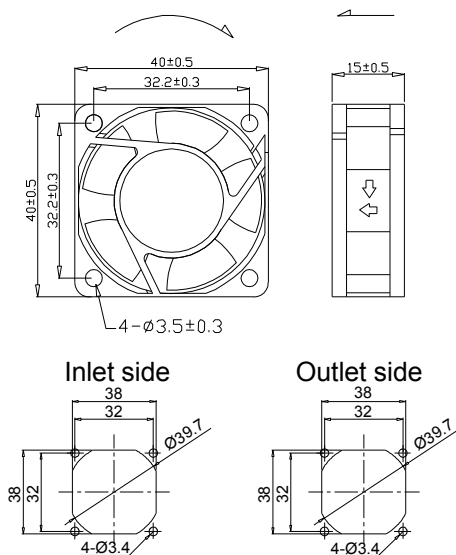
● General Specification

- Material ----- Frame & Impeller : PBT (UL94V-0)
- Operation Temp. -- Two ball bearing : -10°C~70°C
Fluid bearing : -10°C~50°C
- Lead Wires ----- UL 1007 AWG#26 (2 wires) / 28 (3 wires) / 28 (4 wires)
Red Wire : + Yellow Wire : Tach signal
Black Wire : - Blue Wire : PWM control
- Weight ----- 20g

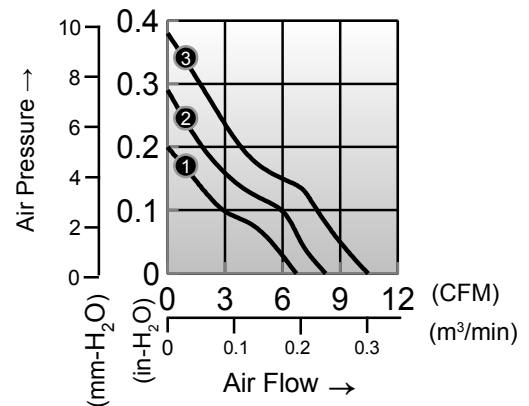
● Specification *Bearing system B:two ball bearing F:fluid bearing

Model	*Bearing System	Rated Voltage	Operating Voltage	Rated Current	Rated Speed	Maximum Air Flow	Maximum Air Pressure	Sound Level	P-Q Curve		
P/N	B / F	V	V	A	RPM	m³/min	CFM	mm-H ₂ O	In-H ₂ O	dB-A	No.
AGE04015B12L	B	12	7.0~13.2	0.08	6000	0.19	6.71	5.06	0.20	28	①
AGE04015B12M	B	12	7.0~13.2	0.12	7300	0.23	8.25	7.48	0.29	32	②
AGE04015B12H	B	12	7.0~13.2	0.16	8600	0.30	10.45	9.57	0.38	36	③
AGE04015B24L	B	24	14.0~26.4	0.03	6000	0.19	6.71	5.06	0.20	28	①
AGE04015B24M	B	24	14.0~26.4	0.05	8600	0.30	10.45	9.57	0.38	36	③

● Drawing & Panel Cut Outs



● Characteristic Curves



40

AGE series

40X40X20mm



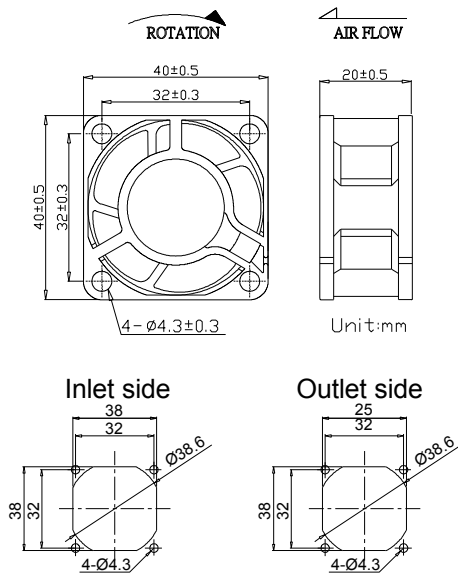
● General Specification

- Material ----- Frame & Impeller : PBT (UL94V-0)
- Operation Temp. -- Two ball bearing : -10°C~70°C
Fluid bearing : -10°C~50°C
- Lead Wires ----- UL 1007 AWG#26 (2 wires) / 26 (3 wires) / 26 (4 wires)
Red Wire : + Yellow Wire: Tach signal
Black Wire : - Blue Wire: PWM control
- Weight ----- 27g

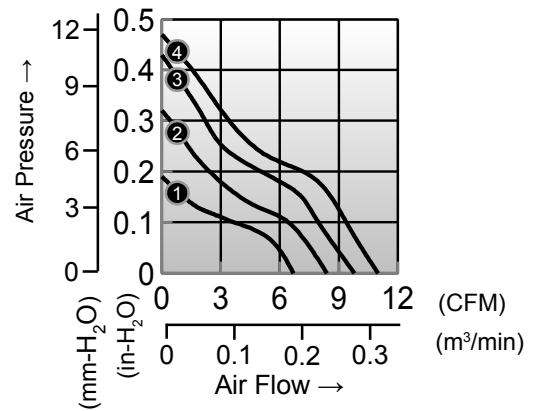
● Specification *Bearing system B:two ball bearing F:fluid bearing

Model	*Bearing System	Rated Voltage	Operating Voltage	Rated Current	Rated Speed	Maximum Air Flow		Maximum Air Pressure		Sound Level	P-Q Curve
P/N	B / F	V	V	A	RPM	m ³ /min	CFM	mm-H ₂ O	In-H ₂ O	dB-A	No.
AGE04020_12L	B / F	12	7.0~13.2	0.10	5000	0.21	6.7	3.8	0.19	23	①
AGE04020_12M	B / F	12	7.0~13.2	0.12	6500	0.22	8.4	7.1	0.32	27	②
AGE04020_12H	B / F	12	7.0~13.2	0.16	8600	0.31	9.8	8.7	0.43	36	③
AGE04020_12U	B / F	12	7.0~13.2	0.22	9500	0.31	11.0	9.3	0.47	37	④
AGE04020_24L	B / F	24	14.0~26.4	0.07	5000	0.21	6.7	3.8	0.19	23	①
AGE04020_24M	B / F	24	14.0~26.4	0.09	6500	0.22	8.4	7.1	0.32	27	②
AGE04020_24H	B / F	24	14.0~26.4	0.13	8600	0.31	9.8	8.7	0.43	36	③

● Drawing & Panel Cut Outs



● Characteristic Curves



40

AGS series

40X40X20mm



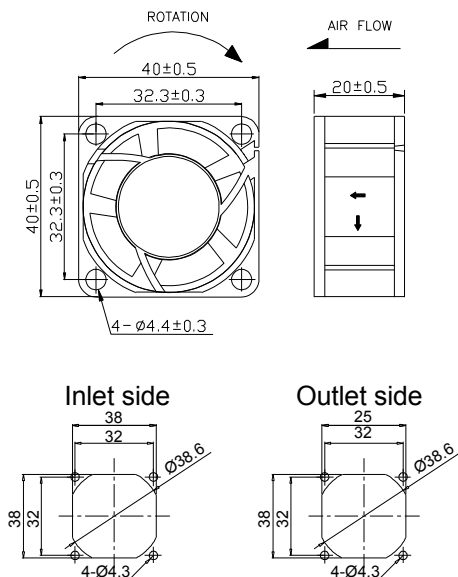
General Specification

- Material ----- Frame & Impeller : PBT (UL94V-0)
- Operation Temp. -- Two ball bearing : -10°C~70°C
Fluid bearing : -10°C~50°C
- Lead Wires ----- UL 1007 AWG#26 (2 wires) / 26 (3 wires) / 26 (4 wires)
Red Wire : + Yellow Wire: Tac signal
Black Wire : - Blue Wire: PWM control
- Weight ----- 27g

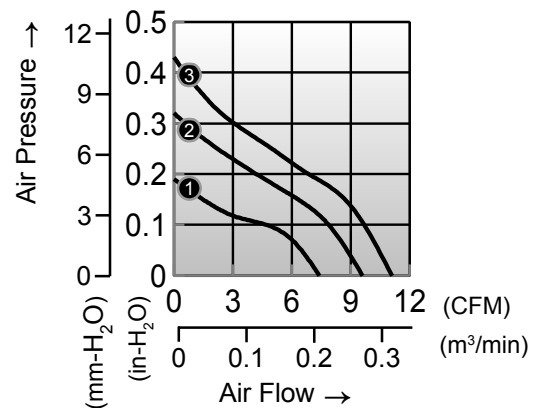
Specification *Bearing system B:two ball bearing F:fluid bearing

Model	*Bearing System	Rated Voltage	Operating Voltage	Rated Current	Rated Speed	Maximum Air Flow	Maximum Air Pressure	Sound Level	P-Q Curve		
P/N	B / F	V	V	A	RPM	m³/min	CFM	mm-H ₂ O	In-H ₂ O	dB-A	No.
AGS04020_12L	B / F	12	7.0~13.2	0.10	5000	0.21	7.4	4.8	0.19	21	①
AGS04020_12M	B / F	12	7.0~13.2	0.12	6500	0.22	9.6	8.1	0.32	25	②
AGS04020_12H	B / F	12	7.0~13.2	0.16	8600	0.31	11.1	10.8	0.43	33	③
AGS04020_24L	B / F	24	14.0~26.4	0.07	5000	0.21	7.4	4.8	0.19	21	①
AGS04020_24M	B / F	24	14.0~26.4	0.09	6500	0.22	9.6	8.1	0.32	25	②
AGS04020_24H	B / F	24	14.0~26.4	0.13	8600	0.31	11.1	10.8	0.43	33	③

Drawing & Panel Cut Outs



Characteristic Curves



40

AGB series

40X40X20mm



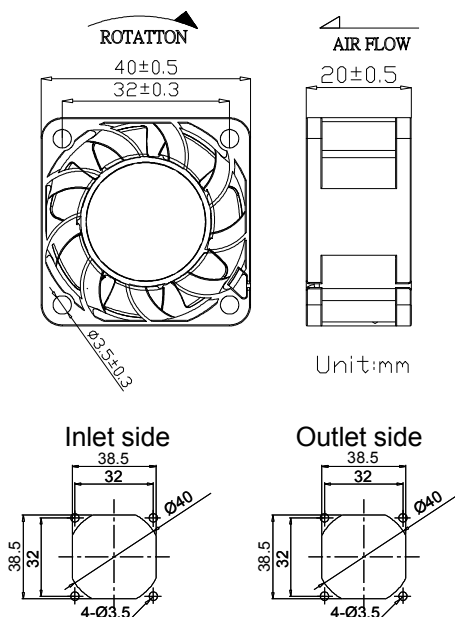
● General Specification

- Material ----- Frame & Impeller : PBT (UL94V-0)
- Operation Temp. -- Two ball bearing : -10°C~70°C
Fluid bearing : -10°C~50°C
- Lead Wires ----- UL 1007 AWG#26 (2 wires) / 26 (3 wire) / 26 (4 wire)
Red wire : + Yellow : Tach signal
Black wire : - Blue : PWM control
- Weight ----- 45g

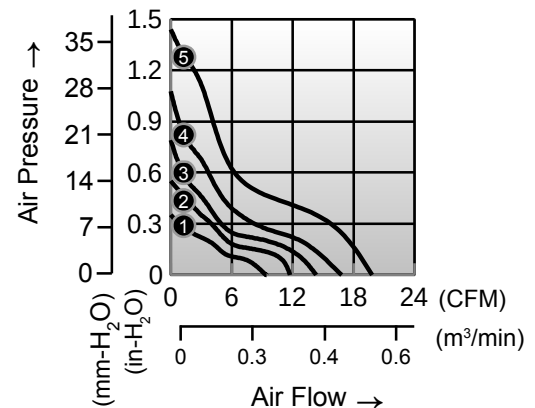
● Specification *Bearing system B:two ball bearing F:fluid bearing

Model	*Bearing System	Rated Voltage	Operating Voltage	Rated Current	Rated Speed	Maximum Air Flow	Maximum Air Pressure	Sound Level	P-Q Curve		
P/N	B / F	V	V	A	RPM	m³/min	CFM	mm-H ₂ O	In-H ₂ O	dB-A	No.
AGB04020B12L	B	12	7.0~13.2	0.08	8000	0.27	9.4	8.9	0.35	33	①
AGB04020B12M	B	12	7.0~13.2	0.11	10000	0.33	11.7	14.0	0.55	40	②
AGB04020B12H	B	12	7.0~13.2	0.17	12000	0.41	14.3	20.1	0.79	44	③
AGB04020B12U	B	12	7.0~13.2	0.25	14000	0.48	16.8	27.3	1.08	49	④
AGB04020B12V	B	12	7.0~13.2	0.41	16000	0.56	19.8	36.6	1.44	53	⑤

● Drawing & Panel Cut Outs



● Characteristic Curves



40

AGB series

40X40X28mm



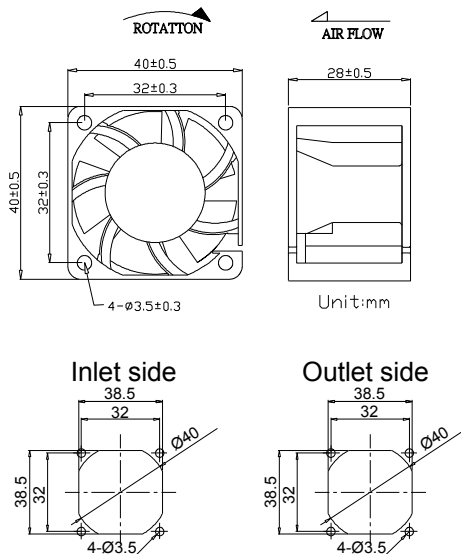
● General Specification

- Material ----- Frame & Impeller : PBT (UL94V-0)
- Operation Temp. -- Two ball bearing : -10°C~70°C
Fluid bearing : -10°C~50°C
- Lead Wires ----- UL 1007 AWG#24 (2 wires) / 26 (3 wire) / 26 (4 wire)
Red wire : + Yellow : Tach signal
Black wire : - Blue : PWM control
- Weight ----- 58g

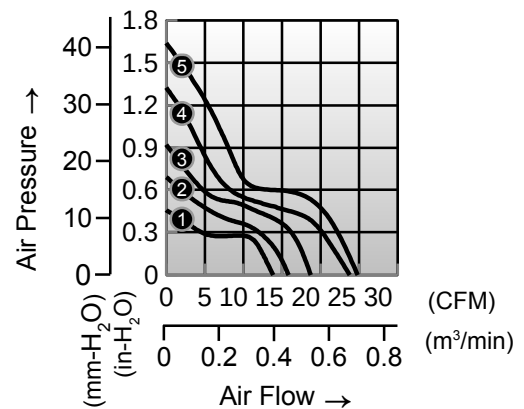
● Specification *Bearing system B:two ball bearing F:fluid bearing

Model	*Bearing System	Rated Voltage	Operating Voltage	Rated Current	Rated Speed	Maximum Air Flow	Maximum Air Pressure	Sound Level	P-Q Curve		
P/N	B / F	V	V	A	RPM	m ³ /min	CFM	mm-H ₂ O	In-H ₂ O	dB-A	No.
AGB04028B12L	B	12	7.0~13.2	0.14	8000	0.40	13.8	11.5	0.46	38	①
AGB04028B12M	B	12	7.0~13.2	0.26	9500	0.45	15.9	17.6	0.69	44	②
AGB04028B12H	B	12	7.0~13.2	0.35	11000	0.53	18.7	23.4	0.92	51	③
AGB04028B12U	B	12	7.0~13.2	0.55	13000	0.67	23.8	33.7	1.32	54	④
AGB04028B12V	B	12	7.0~13.2	0.64	15000	0.70	24.8	41.6	1.64	58	⑤
AGB04028B24L	B	24	14.0~26.4	0.10	8000	0.40	13.8	11.5	0.46	38	①
AGB04028B24M	B	24	14.0~26.4	0.15	9500	0.45	15.9	17.6	0.69	44	②
AGB04028B24H	B	24	14.0~26.4	0.20	11000	0.53	18.7	23.4	0.92	51	③
AGB04028B24U	B	24	14.0~26.4	0.27	13000	0.67	23.8	33.7	1.32	54	④
AGB04028B24V	B	24	14.0~26.4	0.29	15000	0.70	24.8	41.6	1.64	58	⑤

● Drawing & Panel Cut Outs



● Characteristic Curves



40

AGV series

40X40X28mm



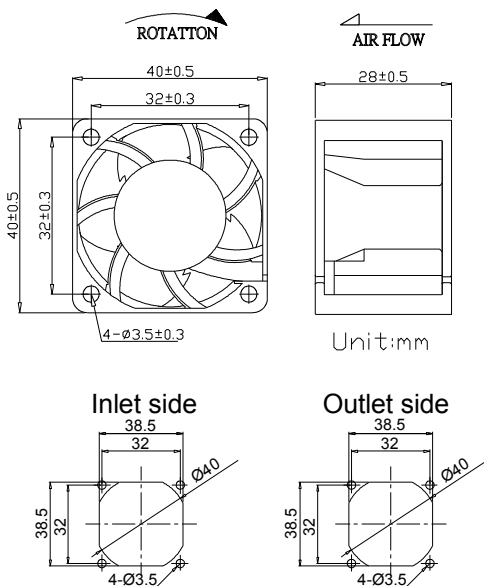
General Specification

- Material ----- Frame & Impeller : PBT (UL94V-0)
- Operation Temp. -- Two ball bearing : -10°C~70°C
Fluid bearing : -10°C~50°C
- Lead Wires ----- UL 1007 AWG#24 (2 wires) / 26 (3 wires) / 26 (4 wires)
Red Wire : + Yellow Wire : Tach signal
Black Wire : - Blue Wire : PWM control
- Weight ----- 49g

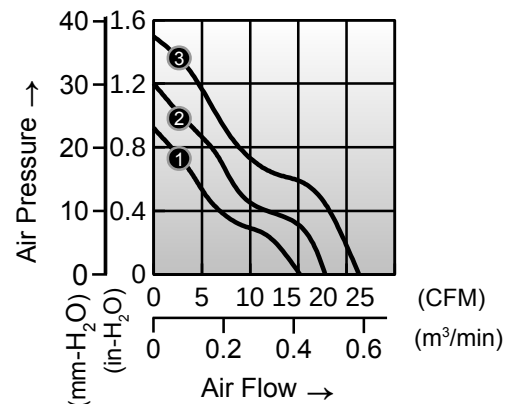
Specification *Bearing system B:two ball bearing F:fluid bearing

Model	*Bearing System	Rated Voltage	Operating Voltage	Rated Current	Rated Speed	Maximum Air Flow	Maximum Air Pressure	Sound Level	P-Q Curve		
P/N	B / F	V	V	A	RPM	m ³ /min	CFM	mm-H ₂ O	In-H ₂ O	dB-A	No.
AGV04028B12H	B	12	7.0~13.2	0.30	13000	0.43	15.2	23.37	0.92	43	①
AGV04028B12U	B	12	7.0~13.2	0.40	15000	0.51	17.8	30.48	1.20	46	②
AGV04028B12V	B	12	7.0~13.2	0.60	17000	0.61	21.3	38.86	1.53	50	③

Drawing & Panel Cut Outs



Characteristic Curves



40

AGD series

40X40X28mm



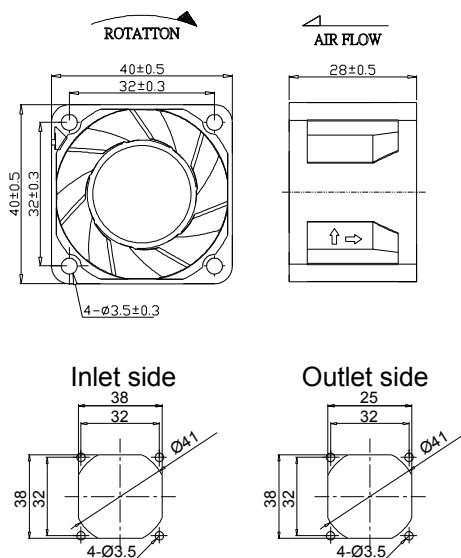
General Specification

- Material ----- Frame & Impeller : PBT (UL94V-0)
- Operation Temp. -- Two ball bearing : -10°C~70°C
Fluid bearing : -10°C~50°C
- Lead Wires ----- UL 1007 AWG#24 (2 wires) / 26 (3 wires) / 26 (4 wires)
Red Wire : + Yellow Wire : Tach signal
Black Wire : - Blue Wire : PWM control
- Weight ----- 50g

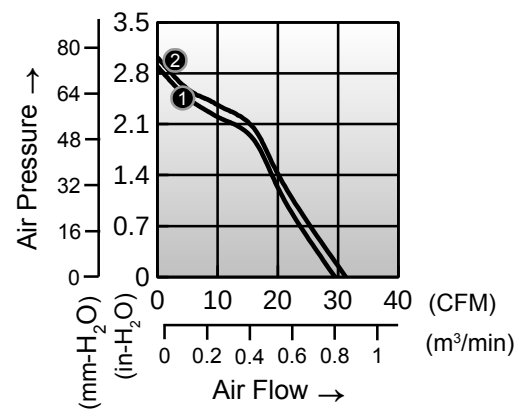
Specification *Bearing system B:two ball bearing F:fluid bearing

Model	*Bearing System	Rated Voltage	Operating Voltage	Rated Current	Rated Speed	Maximum Air Flow	Maximum Air Pressure	Sound Level	P-Q Curve		
P/N	B / F	V	V	A	RPM	m ³ /min	CFM	mm-H ₂ O	In-H ₂ O	dB-A	No.
AGD04028B12V	B	12	7.0~13.2	1.10	21000	0.83	29.5	73.5	2.89	62	①
AGD04028B12W	B	12	7.0~13.2	1.50	23000	0.89	31.3	76.8	3.02	64	②

Drawing & Panel Cut Outs



Characteristic Curves



50

AGE series

50X50X10mm



● General Specification

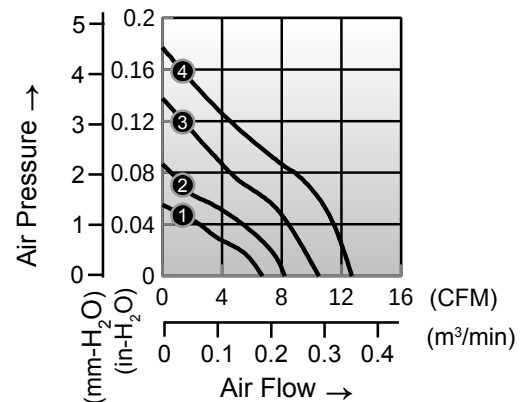
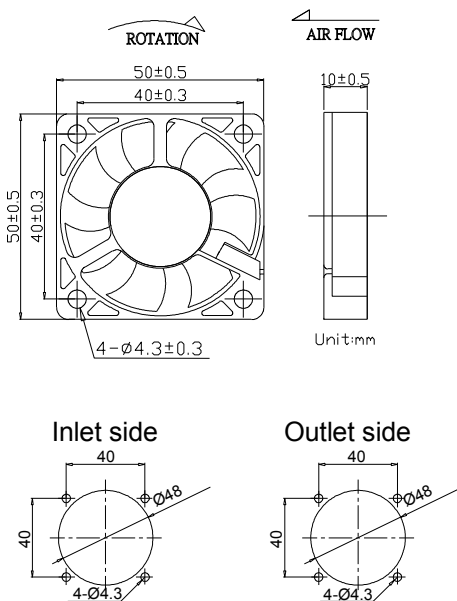
- Material ----- Frame & Impeller : PBT (UL94V-0)
- Operation Temp. -- Two ball bearing : -10°C~70°C
Fluid bearing : -10°C~50°C
- Lead Wires ----- UL 1007 AWG#26 (2 wires) / 28 (3 wires) / 28 (4 wires)
Red Wire : + Yellow Wire : Tach signal
Black Wire : - Blue Wire : PWM control
- Weight ----- 32g

● Specification *Bearing system B:two ball bearing F:fluid bearing

Model	*Bearing System	Rated Voltage	Operating Voltage	Rated Current	Rated Speed	Maximum Air Flow	Maximum Air Pressure	Sound Level	P-Q Curve		
P/N	B / F	V	V	A	RPM	m ³ /min	CFM	mm-H ₂ O	In-H ₂ O	dB-A	No.
AGE05010 * 05J	B / F	5	4.5~5.5	0.08	3500	0.19	6.7	1.4	0.05	18	①
AGE05010 * 05L	B / F	5	4.5~5.5	0.12	4500	0.23	8.2	2.2	0.09	25	②
AGE05010 * 05M	B / F	5	4.5~5.5	0.16	5500	0.30	10.5	3.5	0.14	30	③
AGE05010 * 05H	B / F	5	4.5~5.5	0.20	6500	0.36	12.7	4.5	0.18	35	④
AGE05010 * 12J	B / F	12	7.0~13.2	0.05	3500	0.19	6.7	1.4	0.05	18	①
AGE05010 * 12L	B / F	12	7.0~13.2	0.07	4500	0.23	8.2	2.2	0.09	25	②
AGE05010 * 12M	B / F	12	7.0~13.2	0.08	5500	0.30	10.5	3.5	0.14	30	③
AGE05010 * 12H	B / F	12	7.0~13.2	0.10	6500	0.36	12.7	4.5	0.18	35	④
AGE05010 * 24J	B / F	24	14.0~26.4	0.06	3500	0.19	6.7	1.4	0.05	18	①
AGE05010 * 24L	B / F	24	14.0~26.4	0.07	4500	0.23	8.2	2.2	0.09	25	②
AGE05010 * 24M	B / F	24	14.0~26.4	0.08	5500	0.30	10.5	3.5	0.14	30	③
AGE05010 * 24H	B / F	24	14.0~26.4	0.09	6500	0.36	12.7	4.5	0.18	35	④

● Drawing & Panel Cut Outs

● Characteristic Curves



50

AGC series

50X50X15mm



General Specification

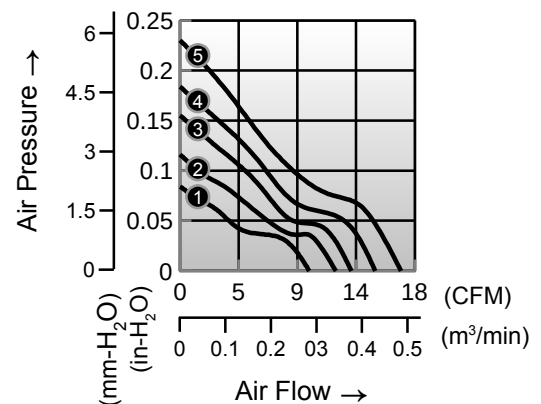
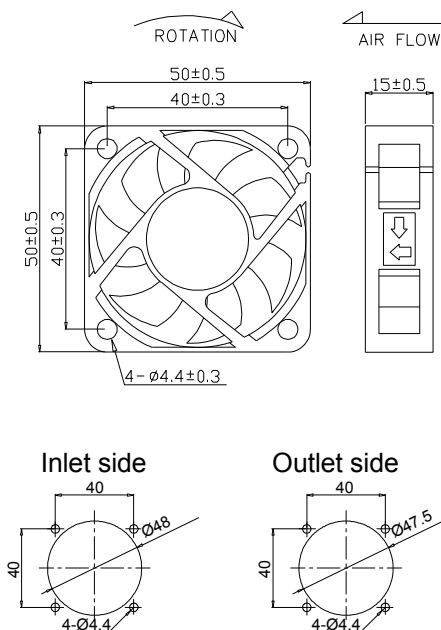
- Material ----- Frame & Impeller : PBT (UL94V-0)
- Operation Temp. -- Two ball bearing : -10°C~70°C
Fluid bearing : -10°C~50°C
- Lead Wires ----- UL 1007 AWG#26 (2 wires) / 28 (3 wires) / 28 (4 wires)
Red Wire : + Yellow Wire : Tach signal
Black Wire : - Blue Wire : PWM control
- Weight ----- 38g

Specification *Bearing system B:two ball bearing F:fluid bearing

Model	*Bearing System	Rated Voltage	Operating Voltage	Rated Current	Rated Speed	Maximum Air Flow		Maximum Air Pressure		Sound Level	P-Q Curve
P/N	B / F	V	V	A	RPM	m³/min	CFM	mm-H₂O	In-H₂O	dB-A	No.
AGC05015 * 12J	B / F	12	7.0~13.2	0.06	3600	0.28	9.91	2.14	0.08	24	①
AGC05015 * 12L	B / F	12	7.0~13.2	0.07	4200	0.39	12.2	2.95	0.12	27	②
AGC05015 * 12M	B / F	12	7.0~13.2	0.09	4800	0.37	13.2	3.94	0.16	30	③
AGC05015 * 12H	B / F	12	7.0~13.2	0.11	5400	0.42	15.0	4.67	0.18	32	④
AGC05015 * 12U	B / F	12	7.0~13.2	0.13	6000	0.48	17.0	5.85	0.23	36	⑤
AGC05015 * 24J	B / F	24	14.0~26.4	0.04	3600	0.28	9.91	2.14	0.08	24	①
AGC05015 * 24L	B / F	24	14.0~26.4	0.05	4200	0.39	12.2	2.95	0.12	27	②
AGC05015 * 24M	B / F	24	14.0~26.4	0.06	4800	0.37	13.2	3.94	0.16	30	③
AGC05015 * 24H	B / F	24	14.0~26.4	0.07	5400	0.42	15.0	4.67	0.18	32	④
AGC05015 * 24U	B / F	24	14.0~26.4	0.08	6000	0.48	17.0	5.85	0.23	36	⑤

Drawing & Panel Cut Outs

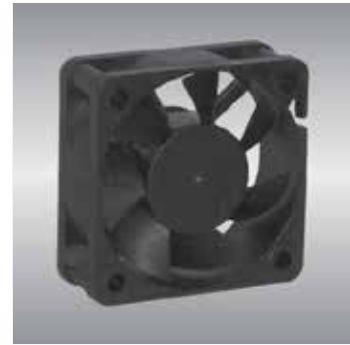
Characteristic Curves



50

AGE series

50X50X20mm



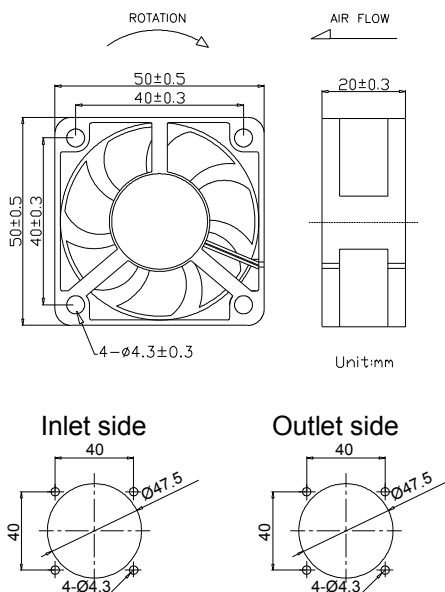
● General Specification

- Material ----- Frame & Impeller : PBT (UL94V-0)
- Operation Temp. -- Two ball bearing : -10°C~70°C
Fluid bearing : -10°C~50°C
- Lead Wires ----- UL 1007 AWG#26 (2 wires) / 26 (3 wires) / 28 (4 wires)
Red Wire : + Yellow Wire : Tach signal
Black Wire : - Blue Wire : PWM control
- Weight ----- 40g

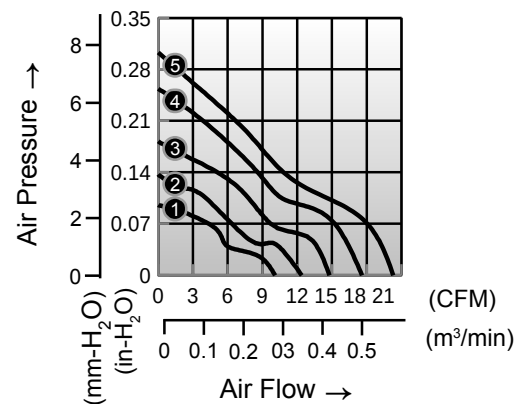
● Specification *Bearing system B:two ball bearing F:fluid bearing

Model	*Bearing System	Rated Voltage	Operating Voltage	Rated Current	Rated Speed	Maximum Air Flow	Maximum Air Pressure	Sound Level	P-Q Curve		
P/N	B / F	V	V	A	RPM	m³/min	CFM	mm-H ₂ O	In-H ₂ O	dB-A	No.
AGE05020B12I	B	12	7.0~13.2	0.10	4000	0.29	10.1	2.42	0.10	24	①
AGE05020B12J	B	12	7.0~13.2	0.13	4800	0.36	12.7	3.48	0.14	28	②
AGE05020B12L	B	12	7.0~13.2	0.15	5600	0.42	14.8	4.62	0.18	32	③
AGE05020B12M	B	12	7.0~13.2	0.21	6400	0.50	17.6	6.44	0.25	36	④
AGE05020B12H	B	12	7.0~13.2	0.25	7000	0.57	20.3	7.70	0.30	38	⑤
AGE05020B24I	B	24	14.0~26.4	0.07	4000	0.29	10.1	2.42	0.10	24	①
AGE05020B24J	B	24	14.0~26.4	0.08	4800	0.36	12.7	3.48	0.14	28	②
AGE05020B24L	B	24	14.0~26.4	0.10	5600	0.42	14.8	4.62	0.18	32	③
AGE05020B24M	B	24	14.0~26.4	0.12	6400	0.50	17.6	6.44	0.25	36	④
AGE05020B24H	B	24	14.0~26.4	0.12	7000	0.57	20.3	7.70	0.30	38	⑤

● Drawing & Panel Cut Outs



● Characteristic Curves



60

AGE series

60X60X10mm



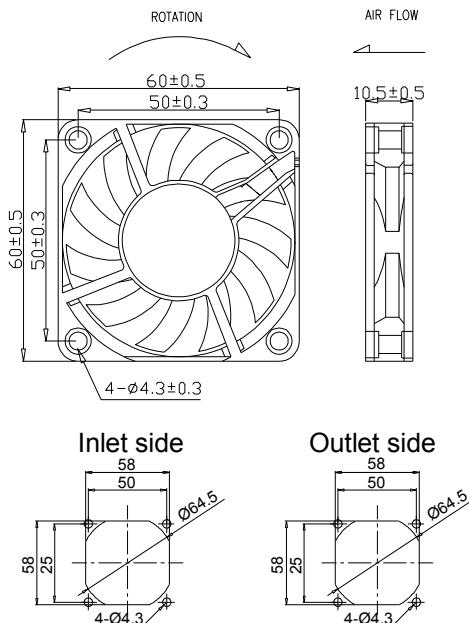
General Specification

- Material ----- Frame & Impeller : PBT (UL94V-0)
- Operation Temp. -- Two ball bearing : -10°C~70°C
Fluid bearing : -10°C~50°C
- Lead Wires ----- UL 1007 AWG#26 (2 wires) / 26 (3 wires) / 26 (4 wires)
Red Wire : + Yellow Wire : Tach signal
Black Wire : - Blue Wire : PWM control
- Weight ----- 37g

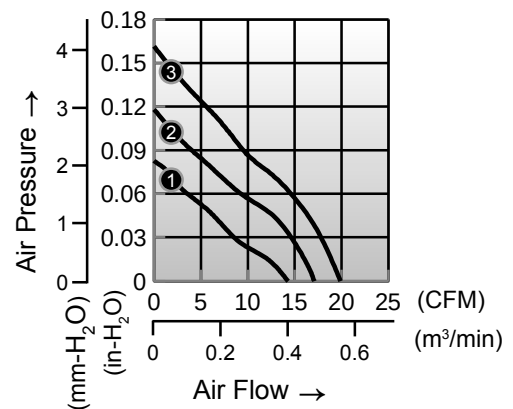
Specification *Bearing system B:two ball bearing F:fluid bearing

Model	*Bearing System	Rated Voltage	Operating Voltage	Rated Current	Rated Speed	Maximum Air Flow	Maximum Air Pressure	Sound Level	P-Q Curve		
P/N	B / F	V	V	A	RPM	m³/min	CFM	mm-H₂O	In-H₂O	dB-A	No.
AGE06010 * 05L	B / F	5	4.5~5.5	0.30	3500	0.56	14.3	2.1	0.08	28	①
AGE06010 * 05M	B / F	5	4.5~5.5	0.38	4200	0.67	17.1	3.0	0.12	33	②
AGE06010 * 05H	B / F	5	4.5~5.5	0.42	4900	0.78	19.9	4.1	0.16	37	③
AGE06010 * 12L	B / F	12	7.0~13.2	0.14	3500	0.56	14.3	2.1	0.08	28	①
AGE06010 * 12M	B / F	12	7.0~13.2	0.17	4200	0.67	17.1	3.0	0.12	33	②
AGE06010 * 12V	B / F	12	7.0~13.2	0.20	4900	0.78	19.9	4.1	0.16	37	③
AGE06010 * 24L	B / F	24	14.0~26.4	0.05	3500	0.56	14.3	2.1	0.08	28	①
AGE06010 * 24M	B / F	24	14.0~26.4	0.08	4200	0.67	17.1	3.0	0.12	33	②
AGE06010 * 24H	B / F	24	14.0~26.4	0.10	4900	0.78	19.9	4.1	0.16	37	③

Drawing & Panel Cut Outs



Characteristic Curves



60

AGC series

60X60X15mm



● General Specification

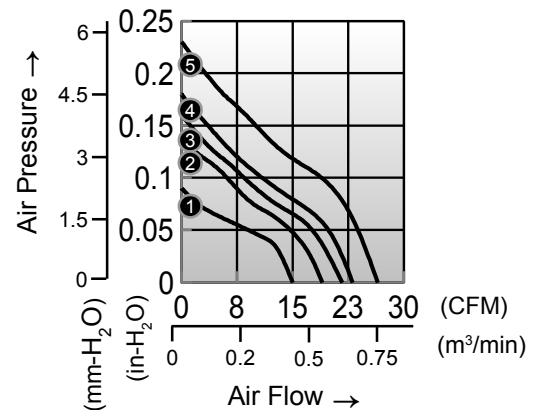
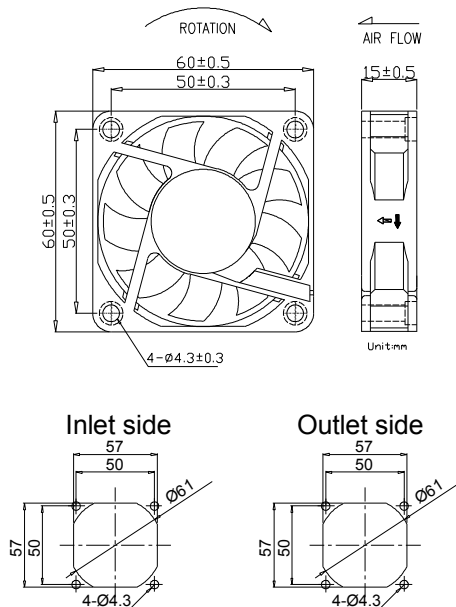
- Material ----- Frame & Impeller : PBT (UL94V-0)
- Operation Temp. -- Two ball bearing : -10°C~70°C
Fluid bearing : -10°C~50°C
- Lead Wires ----- UL 1007 AWG#26 (2 wires) / 26 (3 wires) / 26 (4 wires)
Red Wire : + Yellow Wire : Tach signal
Black Wire : - Blue Wire : PWM control
- Weight ----- 44g

● Specification *Bearing system B:two ball bearing F:fluid bearing

Model	*Bearing System	Rated Voltage	Operating Voltage	Rated Current	Rated Speed	Maximum Air Flow		Maximum Air Pressure		Sound Level	P-Q Curve
P/N	B / F	V	V	A	RPM	m³/min	CFM	mm-H₂O	In-H₂O	dB-A	No.
AGC06015 * 05M	B / F	5	4.5~5.5	0.28	4000	0.68	17.36	4.1	0.16	32	③
AGC06015 * 12J	B / F	12	7.0~13.2	0.06	3000	0.47	12.0	2.3	0.09	24	①
AGC06015 * 12L	B / F	12	7.0~13.2	0.08	3500	0.60	15.2	3.5	0.14	29	②
AGC06015 * 12M	B / F	12	7.0~13.2	0.10	4000	0.68	17.36	4.1	0.16	32	③
AGC06015 * 12H	B / F	12	7.0~13.2	0.12	4500	0.73	18.48	4.6	0.18	35	④
AGC06015 * 12U	B / F	12	7.0~13.2	0.17	5000	0.83	21.2	5.7	0.23	37	⑤
AGC06015 * 24L	B / F	24	14.0~26.4	0.08	3500	0.60	15.2	3.5	0.14	29	②
AGC06015 * 24M	B / F	24	14.0~26.4	0.07	4000	0.68	17.36	4.1	0.16	32	③
AGC06015 * 24H	B / F	24	14.0~26.4	0.08	4500	0.73	18.48	4.6	0.18	35	④
AGC06015 * 24H1	B / F	24	14.0~26.4	0.11	5000	0.83	21.2	5.7	0.23	37	⑤

● Drawing & Panel Cut Outs

● Characteristic Curves



60

AGE series

60X60X20mm



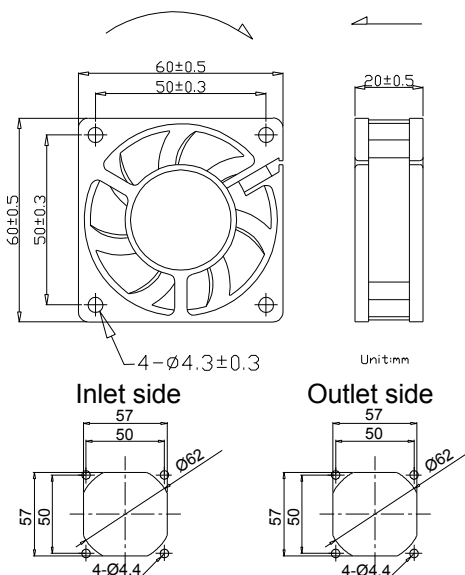
General Specification

- Material ----- Frame & Impeller : PBT (UL94V-0)
- Operation Temp. -- Two ball bearing : -10°C~70°C
Fluid bearing : -10°C~50°C
- Lead Wires ----- UL 1007 AWG#24 (2 wires) / 26 (3 wires) / 28 (4 wires)
Red Wire : + Yellow Wire : Tach signal
Black Wire : - Blue Wire : PWM control
- Weight ----- 50g

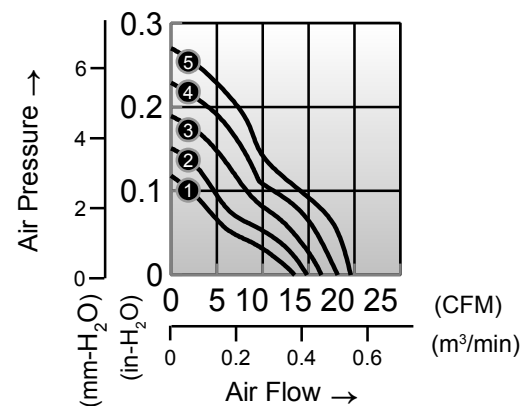
Specification *Bearing system B:two ball bearing F:fluid bearing

Model	*Bearing System	Rated Voltage	Operating Voltage	Rated Current	Rated Speed	Maximum Air Flow		Maximum Air Pressure		Sound Level	P-Q Curve
P/N	B / F	V	V	A	RPM	m³/min	CFM	mm-H ₂ O	In-H ₂ O	dB-A	No.
AGE06020B12J	B	12	7.0~13.2	0.07	3200	0.38	13.5	3.0	0.12	24	①
AGE06020B12L	B	12	7.0~13.2	0.09	3600	0.42	14.8	3.8	0.15	26	②
AGE06020B12M	B	12	7.0~13.2	0.11	4000	0.46	16.4	4.8	0.19	29	③
AGE06020B12H	B	12	7.0~13.2	0.13	4400	0.51	18.1	5.8	0.23	31	④
AGE06020B12U	B	12	7.0~13.2	0.17	4800	0.56	19.6	6.9	0.27	33	⑤

Drawing & Panel Cut Outs



Characteristic Curves



60

AGE series

60X60X25mm



General Specification

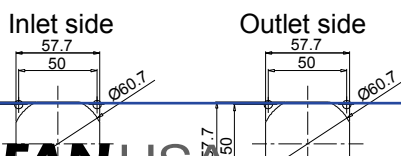
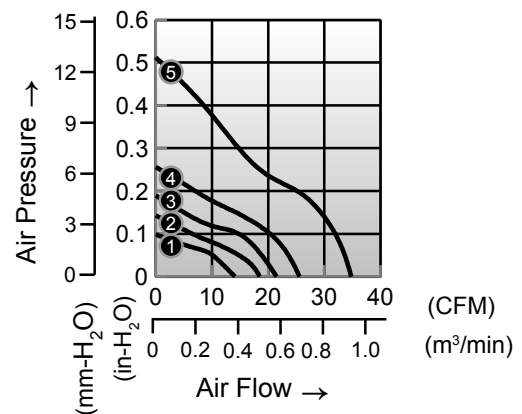
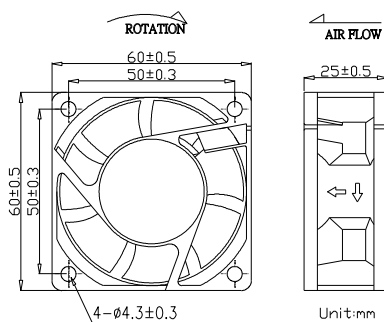
- Material ----- Frame & Impeller : PBT (UL94V-0)
- Operation Temp. -- Two ball bearing : -10°C~70°C
Fluid bearing : -10°C~50°C
- Lead Wires ----- UL 1007 AWG#24 (2 wires) / 26 (3 wires) / 28 (4 wires)
Red Wire : + Yellow Wire : Tach signal
Black Wire : - Blue Wire : PWM control
- Weight ----- 57g

Specification *Bearing system B:two ball bearing F:fluid bearing

Model	*Bearing System	Rated Voltage	Operating Voltage	Rated Current	Rated Speed	Maximum Air Flow	Maximum Air Pressure	Sound Level	P-Q Curve		
P/N	B / F	V	V	A	RPM	m³/min	CFM	mm-H ₂ O	In-H ₂ O	dB-A	No.
AGE06025 * 12J	B / F	12	7.0~13.2	0.10	3100	0.40	14.1	2.5	0.10	26	①
AGE06025 * 12L	B / F	12	7.0~13.2	0.12	3600	0.52	18.5	3.6	0.14	31	②
AGE06025 * 12M	B / F	12	7.0~13.2	0.16	4250	0.61	21.5	4.8	0.19	34	③
AGE06025 * 12H	B / F	12	7.0~13.2	0.35	5000	0.73	25.6	6.5	0.26	40	④
AGE06025 * 12U	B	12	7.0~13.2	0.40	6800	0.99	34.8	13	0.51	47	⑤
AGE06025 * 24J	B / F	24	14.0~26.4	0.06	3100	0.40	14.1	2.5	0.10	26	①
AGE06025 * 24L	B / F	24	14.0~26.4	0.08	3600	0.52	18.5	3.6	0.14	31	②
AGE06025 * 24M	B / F	24	14.0~26.4	0.11	4250	0.61	21.5	4.8	0.19	34	③
AGE06025 * 24H	B / F	24	14.0~26.4	0.20	5000	0.73	25.6	6.5	0.26	40	④
AGE06025 * 24U	B	24	14.0~26.4	0.25	6800	0.99	34.8	13	0.51	47	⑤
AGE06025 * 48J	B / F	48	28.0~56.0	0.05	3100	0.40	14.1	2.5	0.10	26	①
AGE06025 * 48L	B / F	48	28.0~56.0	0.06	3600	0.52	18.5	3.6	0.14	31	②
AGE06025 * 48M	B / F	48	28.0~56.0	0.07	4250	0.61	21.5	4.8	0.19	34	③
AGE06025 * 48H	B / F	48	28.0~56.0	0.12	5000	0.73	25.6	6.5	0.26	40	④

Drawing & Panel Cut Outs

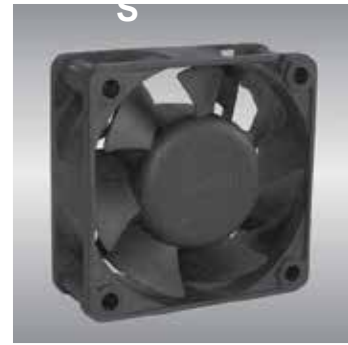
Characteristic Curves



60

AGF series

60X60X25mm



General Specification

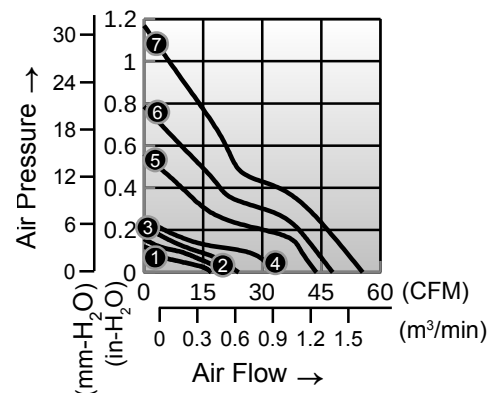
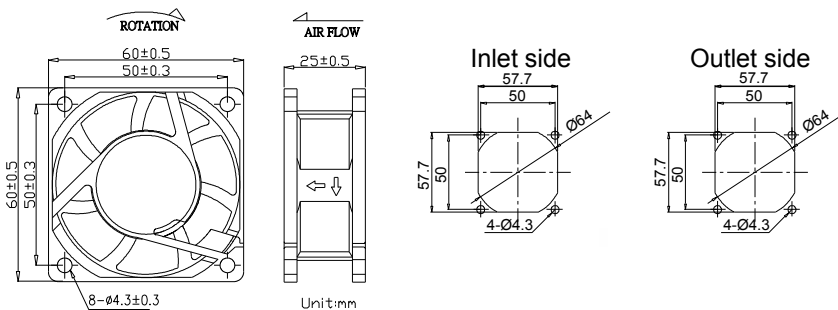
- Material ----- Frame & Impeller : PBT (UL94V-0)
- Operation Temp. -- Two ball bearing : -10°C~70°C
Fluid bearing : -10°C~50°C
- Lead Wires ----- UL 1007 AWG#24 (2 wires) / 26 (3 wires) / 28 (4 wires)
Red Wire : + Yellow Wire : Tach signal
Black Wire : - Blue Wire : PWM control
- Weight ----- 60g

Specification *Bearing system B:two ball bearing F:fluid bearing

Model	*Bearing System	Rated Voltage	Operating Voltage	Rated Current	Rated Speed	Maximum Air Flow		Maximum Air Pressure		Sound Level	P-Q Curve
						m ³ /min	CFM	mm-H ₂ O	In-H ₂ O		
P/N	B / F	V	V	A	RPM	m ³ /min	CFM	mm-H ₂ O	In-H ₂ O	dB-A	No.
AGF06025 * 12J	B / F	12	7.0~13.2	0.08	3100	0.48	17.1	3.1	0.12	26	①
AGF06025 * 12L	B / F	12	7.0~13.2	0.12	3600	0.61	21.5	4.0	0.16	31	②
AGF06025 * 12M	B / F	12	7.0~13.2	0.15	4250	0.68	24.0	5.6	0.22	34	③
AGF06025 * 12H	B	12	7.0~13.2	0.28	5000	0.95	33.6	6.3	0.25	40	④
AGF06025 * 12U	B	12	7.0~13.2	0.45	6800	1.24	43.8	14.2	0.56	56	⑤
AGF06025 * 12V	B	12	7.0~13.2	0.48	7500	1.36	47.9	20.0	0.79	63	⑥
AGF06025 * 12W	B	12	7.0~13.2	0.54	9800	1.57	55.5	29.7	1.17	66	⑦
AGF06025 * 24J	B	24	14.0~26.4	0.06	3100	0.48	17.1	3.1	0.12	26	①
AGF06025 * 24L	B	24	14.0~26.4	0.06	3600	0.61	21.5	4.0	0.16	31	②
AGF06025 * 24M	B	24	14.0~26.4	0.08	4250	0.68	24.0	5.6	0.22	34	③
AGF06025 * 24H	B	24	14.0~26.4	0.16	5000	0.95	33.6	6.3	0.25	40	④
AGF06025 * 24U	B	24	14.0~26.4	0.28	6800	1.24	43.8	14.2	0.56	56	⑤
AGF06025 * 24V	B	24	14.0~26.4	0.31	7500	1.36	47.9	20.0	0.79	63	⑥
AGF06025 * 24W	B	24	14.0~26.4	0.35	9800	1.57	55.5	29.7	1.17	66	⑦
AGF06025 * 48L	B	48	28.0~56.0	0.06	4250	0.68	24.0	5.6	0.22	34	③
AGF06025 * 48M	B	48	28.0~56.0	0.10	5000	0.95	33.6	6.3	0.25	40	④
AGF06025 * 48H	B	48	28.0~56.0	0.17	6800	1.24	43.8	14.2	0.56	56	⑤

Drawing & Panel Cut Outs

Characteristic Curves



60

AGB series

60X60X38mm



General Specification

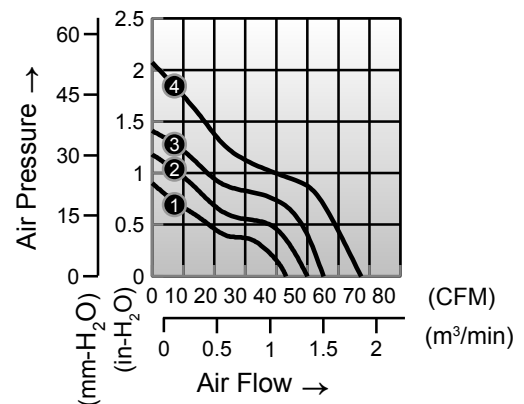
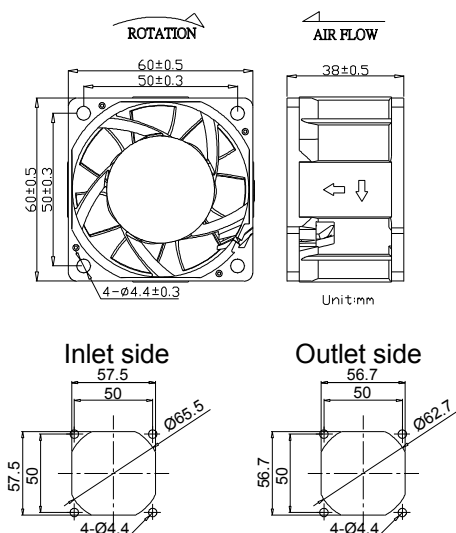
- Material ----- Frame & Impeller : PBT (UL94V-0)
- Operation Temp. -- Two ball bearing : -10°C~70°C
Fluid bearing : -10°C~50°C
- Lead Wires ----- UL 1007 AWG#24 (2 wires) / 26 (3 wires) / 26 (4 wires)
Red Wire : + Yellow Wire : Tach signal
Black Wire : - Blue Wire : PWM control
- Weight ----- 145g

Specification *Bearing system B:two ball bearing F:fluid bearing

Model	*Bearing System	Rated Voltage	Operating Voltage	Rated Current	Rated Speed	Maximum Air Flow	Maximum Air Pressure	Sound Level	P-Q Curve		
P/N	B / F	V	V	A	RPM	m³/min	CFM	mm-H ₂ O	In-H ₂ O	dB-A	No.
AGB06038B12I	B	12	7.0~13.2	0.52	8000	1.22	43.1	22.9	0.90	51	①
AGB06038B12J	B	12	7.0~13.2	0.68	9000	1.44	50.8	30.1	1.19	54	②
AGB06038B12L	B	12	7.0~13.2	1.00	10000	1.56	55.2	35.8	1.41	57	③
AGB06038B12M	B	12	7.0~13.2	1.38	12000	1.91	67.3	52.6	2.07	62	④
AGB06038B24L	B	24	14.0~26.4	0.22	8000	1.22	43.1	22.9	0.90	51	①
AGB06038B24M	B	24	14.0~26.4	0.40	9000	1.44	50.8	30.1	1.19	54	②
AGB06038B24H	B	24	14.0~26.4	0.53	10000	1.56	55.2	35.8	1.41	57	③
AGB06038B24U	B	24	14.0~26.4	0.75	12000	1.91	67.3	52.6	2.07	62	④

Drawing & Panel Cut Outs

Characteristic Curves

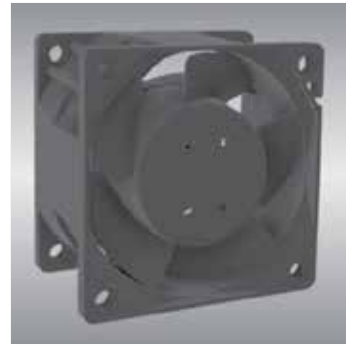


60

AGX series

60X60X38mm

Available on 2020/Q2



● General Specification

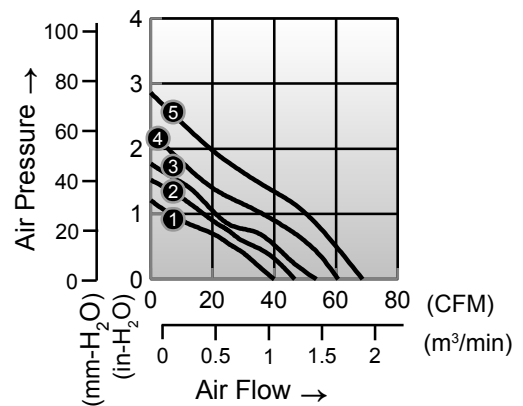
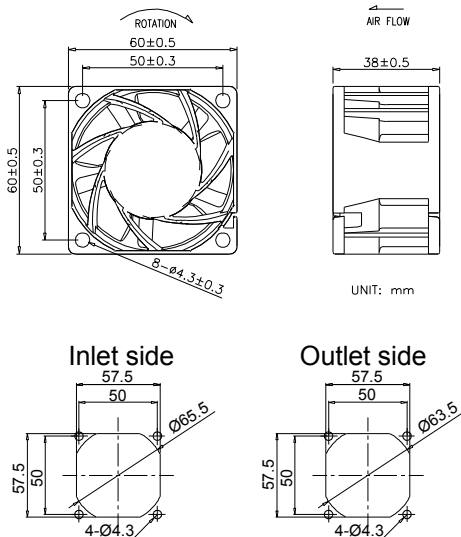
- Material ----- Frame & Impeller : PBT (UL94V-0)
- Operation Temp. -- Two ball bearing : -10°C~70°C
Fluid bearing : -10°C~50°C
- Lead Wires ----- UL 1007 AWG#24 (2 wires) / 26 (3 wires) / 26 (4 wires)
Red Wire : + Yellow Wire : Tach signal
Black Wire : - Blue Wire : PWM control
- Weight ----- 145g

● Specification *Bearing system B:two ball bearing F:fluid bearing

Model	*Bearing System	Rated Voltage	Operating Voltage	Rated Current	Rated Speed	Maximum Air Flow	Maximum Air Pressure	Sound Level	P-Q Curve		
P/N	B / F	V	V	A	RPM	m ³ /min	CFM	mm-H ₂ O	In-H ₂ O	dB-A	No.
AGX06038B12L	B	12	7.0~13.2	0.35	8500	1.55	41.7	33.9	1.34	49	①
AGX06038B12M	B	12	7.0~13.3	0.44	10000	1.32	46.7	38.6	1.52	53	②
AGX06038B12H	B	12	7.0~13.4	0.64	11500	1.52	53.7	45.1	1.77	56	③
AGX06038B12U	B	12	7.0~13.5	0.96	13000	1.72	60.7	57.3	2.26	58	④
AGX06038B12V	B	12	7.0~13.6	1.36	14500	1.94	68.6	73.3	2.89	61	⑤
AGX06038B24L	B	24	14.0~26.4	0.25	8500	1.55	41.7	40.1	1.58	49	①
AGX06038B24M	B	24	14.0~26.4	0.28	10000	1.32	46.7	38.6	1.52	53	②
AGX06038B24H	B	24	14.0~26.4	0.38	11500	1.52	53.7	45.1	1.77	56	③
AGX06038B24U	B	24	14.0~26.4	0.60	13000	1.72	60.7	57.3	2.26	58	④
AGX06038B24V	B	24	14.0~26.4	0.85	14500	1.94	68.6	73.3	2.89	61	⑤

● Drawing & Panel Cut Outs

● Characteristic Curves



70

AGN series

70X70X10mm

Available on 2020/Q2



● General Specification

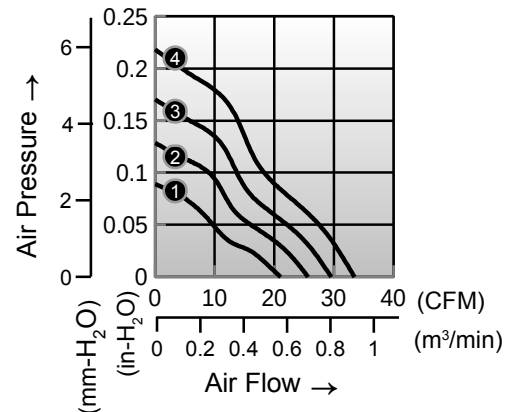
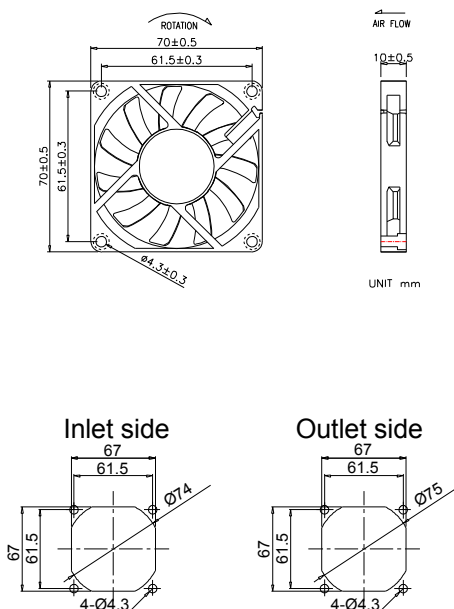
- Material ----- Frame & Impeller : PBT (UL94V-0)
- Operation Temp. -- Two ball bearing : -10°C~70°C
Fluid bearing : -10°C~50°C
- Lead Wires ----- UL 1007 AWG#24 (2 wires) / 26 (3 wires) / 28 (4 wires)
Red Wire : + Yellow Wire : Tach signal
Black Wire : - Blue Wire : PWM control
- Weight ----- 50g

● Specification *Bearing system B:two ball bearing F:fluid bearing

Model	*Bearing System	Rated Voltage	Operating Voltage	Rated Current	Rated Speed	Maximum Air Flow	Maximum Air Pressure	Sound Level	P-Q Curve		
P/N	B / F	V	V	A	RPM	m ³ /min	CFM	mm-H ₂ O	In-H ₂ O	dB-A	No.
AGN07010 * 05J	B / F	5	5.0~5.5	0.10	2600	0.54	18.9	1.5	0.06	26	①
AGN07010 * 05L	B / F	5	5.0~5.5	0.12	3200	0.68	23.9	2.2	0.09	32	②
AGN07010 * 05M	B / F	5	5.0~5.5	0.17	3800	0.82	28.9	3.1	0.12	36	③
AGN07010 * 12J	B / F	12	7.0~13.2	0.10	2600	0.54	18.9	1.5	0.06	26	①
AGN07010 * 12L	B / F	12	7.0~13.2	0.12	3200	0.68	23.9	2.2	0.09	32	②
AGN07010 * 12M	B / F	12	7.0~13.2	0.17	3800	0.82	28.9	3.1	0.12	36	③
AGN07010 * 12H	B / F	12	7.0~13.2	0.25	4400	0.83	29.4	4.0	0.16	40	④
AGN07010 * 12M	B / F	12	7.0~13.2	0.17	5000	0.97	34.3	5.0	0.20	43	⑤
AGN07010 * 24J	B / F	24	14.0~26.4	0.10	2600	0.54	18.9	1.5	0.06	26	①
AGN07010 * 24L	B / F	24	14.0~26.4	0.12	3200	0.68	23.9	2.2	0.09	32	②
AGN07010 * 24M	B / F	24	14.0~26.4	0.17	3800	0.82	28.9	3.1	0.12	36	③
AGN07010 * 24H	B / F	24	14.0~26.4	0.25	4400	0.83	29.4	4.0	0.16	40	④

● Drawing & Panel Cut Outs

● Characteristic Curves



70

AGE series

70X70X15mm



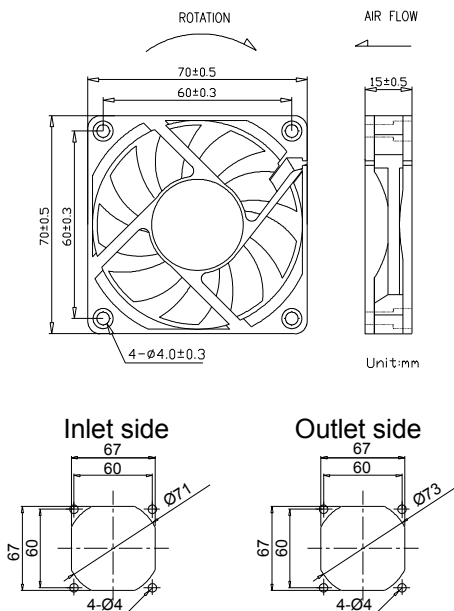
General Specification

- Material ----- Frame & Impeller : PBT (UL94V-0)
- Operation Temp. -- Two ball bearing : -10°C~70°C
Fluid bearing : -10°C~50°C
- Lead Wires ----- UL 1007 AWG#24 (2 wires) / 26 (3 wires) / 28 (4 wires)
Red Wire : + Yellow Wire : Tach signal
Black Wire : - Blue Wire : PWM control
- Weight ----- 50g

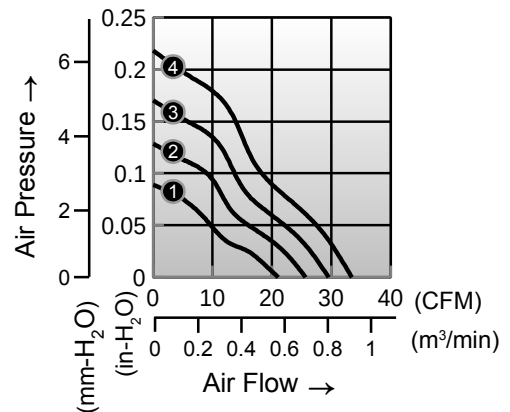
Specification *Bearing system B:two ball bearing F:fluid bearing

Model	*Bearing System	Rated Voltage	Operating Voltage	Rated Current	Rated Speed	Maximum Air Flow		Maximum Air Pressure		Sound Level	P-Q Curve
P/N	B / F	V	V	A	RPM	m ³ /min	CFM	mm-H ₂ O	In-H ₂ O	dB-A	No.
AGE07015B12J	B	12	7.0~13.2	0.10	2800	0.60	21.1	2.3	0.09	27	①
AGE07015B12L	B	12	7.0~13.2	0.12	3300	0.73	25.7	3.3	0.13	31	②
AGE07015B12M	B	12	7.0~13.2	0.17	3800	0.84	29.6	4.3	0.17	35	③
AGE07015B12H	B	12	7.0~13.2	0.25	4300	0.95	33.5	5.5	0.22	39	④
AGE07015B24M	B	24	14.0~26.4	0.10	3800	0.84	29.6	4.3	0.17	35	③
AGE07015B24H	B	24	14.0~26.4	0.12	4300	0.95	33.5	5.5	0.22	39	④

Drawing & Panel Cut Outs



Characteristic Curves



70

AGE series

70X70X25mm



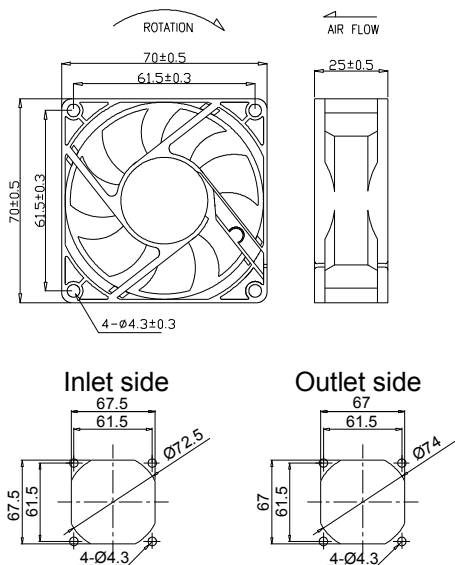
General Specification

- Material ----- Frame & Impeller : PBT (UL94V-0)
- Operation Temp. -- Two ball bearing : -10°C~70°C
Fluid bearing : -10°C~50°C
- Lead Wires ----- UL 1007 AWG#24 (2 wires) / 26 (3 wires) / 28 (4 wires)
Red Wire : + Yellow Wire : Tach signal
Black Wire : - Blue Wire : PWM control
- Weight ----- 74g

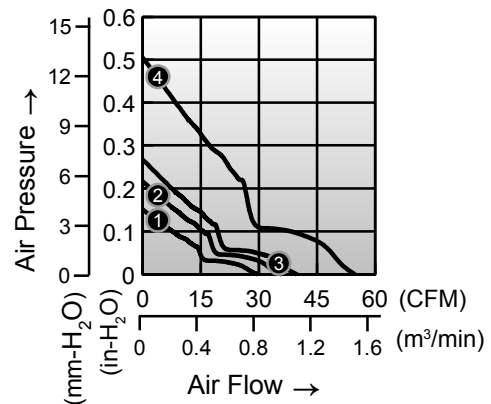
Specification *Bearing system B:two ball bearing F:fluid bearing

Model	*Bearing System	Rated Voltage	Operating Voltage	Rated Current	Rated Speed	Maximum Air Flow	Maximum Air Pressure	Sound Level	P-Q Curve		
P/N	B / F	V	V	A	RPM	m ³ /min	CFM	mm-H ₂ O	In-H ₂ O	dB-A	No.
AGE07025B12L	B	12	7.0~13.2	0.07	3000	0.85	30.0	3.9	0.15	27	①
AGE07025B12M	B	12	7.0~13.2	0.09	3600	1.02	35.6	5.5	0.22	32	②
AGE07025B12H	B	12	7.0~13.2	0.13	4000	1.13	39.9	6.8	0.27	37	③
AGE07025B12U	B	12	7.0~13.2	0.16	5500	1.55	54.8	12.8	0.50	45	④
AGE07025B24L	B	24	14.0~26.4	0.05	3000	0.85	30.0	3.9	0.15	27	①
AGE07025B24M	B	24	14.0~26.4	0.06	3600	1.02	35.6	5.5	0.22	32	②
AGE07025B24H	B	24	14.0~26.4	0.08	4000	1.13	39.9	6.8	0.27	37	③
AGE07025B24U	B	24	14.0~26.4	0.35	5500	1.55	54.8	12.8	0.50	45	④
AGE07025B48L	B	48	28.0~56.0	0.04	3000	0.85	30.0	3.9	0.15	27	①

Drawing & Panel Cut Outs



Characteristic Curves



80

AGE series

80X80X15mm



General Specification

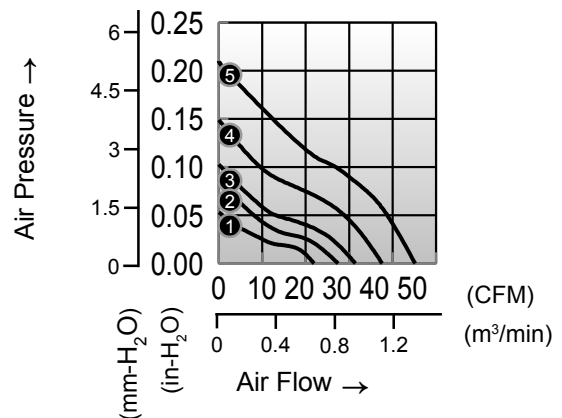
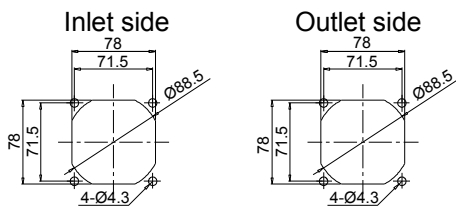
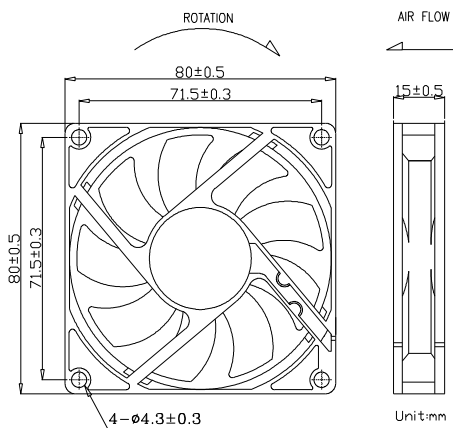
- Material ----- Frame & Impeller : PBT (UL94V-0)
- Operation Temp. -- Two ball bearing : -10°C~70°C
Fluid bearing : -10°C~50°C
- Lead Wires ----- UL 1007 AWG#24 (2 wires) / 26 (3 wires) / 28 (4 wires)
Red Wire : + Yellow Wire : Tach signal
Black Wire : - Blue Wire : PWM control
- Weight ----- 54g

Specification *Bearing system B:two ball bearing F:fluid bearing

Model	*Bearing System	Rated Voltage	Operating Voltage	Rated Current	Rated Speed	Maximum Air Flow	Maximum Air Pressure	Sound Level	P-Q Curve		
P/N	B / F	V	V	A	RPM	m³/min	CFM	mm-H ₂ O	In-H ₂ O	dB-A	No.
AGE08015 * 12J	B / F	12	7.0~13.2	0.06	2400	0.62	22.0	1.35	0.05	25	①
AGE08015 * 12L	B / F	12	7.0~13.2	0.10	2700	0.78	27.5	2.23	0.09	30	②
AGE08015 * 12M	B / F	12	7.0~13.2	0.12	3100	0.89	31.5	2.61	0.10	32	③
AGE08015 * 12H	B / F	12	7.0~13.2	0.16	3600	1.07	37.6	3.78	0.15	36	④
AGE08015 * 12U	B / F	12	7.0~13.2	0.30	4500	1.28	45.2	5.23	0.21	43	⑤
AGE08015 * 24J	B / F	24	14.0~26.4	0.04	2400	0.62	22.0	1.35	0.05	25	①
AGE08015 * 24L	B / F	24	14.0~26.4	0.06	2700	0.78	27.5	2.23	0.09	30	②
AGE08015 * 24M	B / F	24	14.0~26.4	0.08	3100	0.89	31.5	2.61	0.10	32	③
AGE08015 * 24H	B / F	24	14.0~26.4	0.10	3600	1.07	37.6	3.78	0.15	36	④

Drawing & Panel Cut Outs

Characteristic Curves



80

AGE series

80X80X20mm



● General Specification

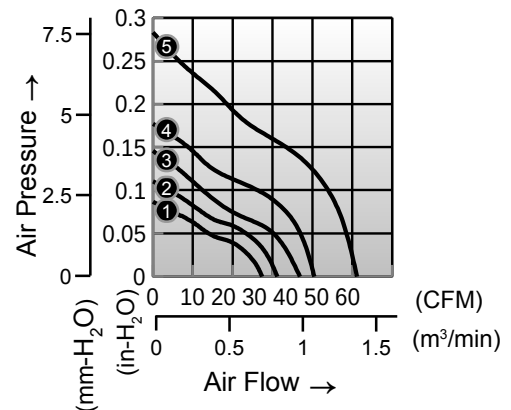
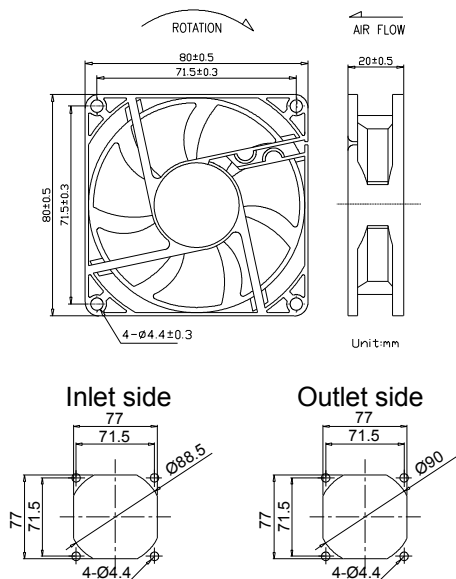
- Material ----- Frame & Impeller : PBT (UL94V-0)
- Operation Temp. -- Two ball bearing : -10°C~70°C
Fluid bearing : -10°C~50°C
- Lead Wires ----- UL 1007 AWG#24 (2 wires) / 26 (3 wires) / 28 (4 wires)
Red Wire : + Yellow Wire : Tach signal
Black Wire : - Blue Wire : PWM control
- Weight ----- 76g

● Specification *Bearing system B:two ball bearing F:fluid bearing

Model	*Bearing System	Rated Voltage	Operating Voltage	Rated Current	Rated Speed	Maximum Air Flow		Maximum Air Pressure		Sound Level	P-Q Curve
P/N	B / F	V	V	A	RPM	m ³ /min	CFM	mm-H ₂ O	In-H ₂ O	dB-A	No.
AGE08020B12J	B	12	7.0~13.2	0.13	2400	0.78	27.4	2.2	0.09	25	①
AGE08020B12L	B	12	7.0~13.2	0.16	2700	0.88	31.2	2.8	0.11	29	②
AGE08020B12M	B	12	7.0~13.2	0.18	3100	1.04	36.9	3.7	0.15	34	③
AGE08020B12H	B	12	7.0~13.2	0.24	3400	1.15	40.5	4.5	0.18	36	④
AGE08020B12U	B	12	7.0~13.2	0.30	4300	1.45	51.2	7.2	0.28	43	⑤
AGE08020B24J	B	24	14.0~26.4	0.07	2400	0.78	27.4	2.2	0.09	25	①
AGE08020B24M	B	24	14.0~26.4	0.12	3100	1.04	36.9	3.7	0.15	34	③
AGE08020B24U	B	24	14.0~26.4	0.20	4300	1.45	51.2	7.2	0.28	43	⑤

● Drawing & Panel Cut Outs

● Characteristic Curves



80

AGE series

80X80X25mm



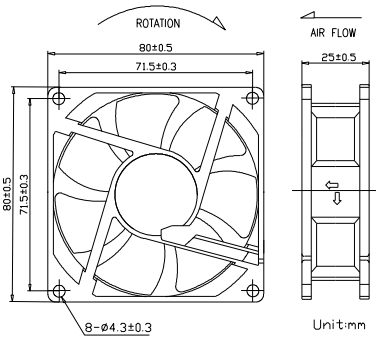
● General Specification

- Material ----- Frame & Impeller : PBT (UL94V-0)
- Operation Temp. -- Two ball bearing : -10°C~70°C
Fluid bearing : -10°C~50°C
- Lead Wires ----- UL 1007 AWG#24 (2 wires) / 26 (3 wires) / 28 (4 wires)
Red Wire : + Yellow Wire : Tach signal
Black Wire : - Blue Wire : PWM control
- Weight ----- 80g

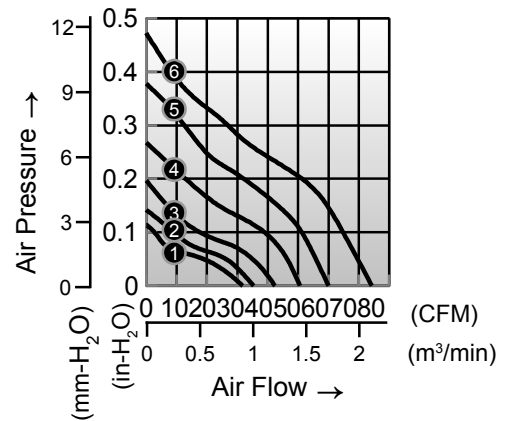
● Specification *Bearing system B:two ball bearing F:fluid bearing

Model	*Bearing System	Rated Voltage	Operating Voltage	Rated Current	Rated Speed	Maximum Air Flow	Maximum Air Pressure	Sound Level	P-Q Curve		
P/N	B / F	V	V	A	RPM	m ³ /min	CFM	mm-H ₂ O	In-H ₂ O	dB-A	No.
AGE08025 * 05U	B / F	5	4.5~5.5	0.30	2700	0.90	31.8	2.9	0.11	28	①
AGE08025 * 12J	B / F	12	7.0~13.2	0.17	2700	0.90	31.8	2.9	0.11	29	①
AGE08025 * 12L	B / F	12	7.0~13.2	0.19	3000	1.00	35.4	3.6	0.14	33	②
AGE08025 * 12M	B / F	12	7.0~13.2	0.23	3600	1.20	42.4	5.0	0.20	38	③
AGE08025 * 12H	B / F	12	7.0~13.2	0.32	4300	1.43	50.5	6.8	0.27	43	④
AGE08025 * 12U	B / F	12	7.0~13.2	0.50	5000	1.69	60.0	9.6	0.38	48	⑤
AGE08025 * 12V	B	12	7.0~13.2	0.50	5700	2.10	74.3	9.6	0.38	50	⑥
AGE08025 * 24J	B / F	24	14.0~26.4	0.08	2700	0.90	31.8	2.9	0.11	29	①
AGE08025 * 24L	B / F	24	14.0~26.4	0.11	3000	1.00	35.4	3.6	0.14	33	②
AGE08025 * 24M	B / F	24	14.0~26.4	0.16	3600	1.20	42.4	5.0	0.20	38	③
AGE08025 * 24H	B / F	24	14.0~26.4	0.23	4300	1.43	50.5	6.8	0.27	43	④
AGE08025 * 24U	B	24	4.0~26.4	0.25	5000	1.69	60.0	9.6	0.38	48	⑤
AGE08025 * 48M	B / F	48	28.0~56.0	0.06	3000	1.00	35.4	3.6	0.14	33	②
AGE08025 * 48H	B / F	48	28.0~56.0	0.09	3600	1.20	42.4	5.0	0.20	38	③
AGE08025 * 48U	B / F	48	28.0~56.0	0.20	4300	1.43	50.5	6.8	0.27	43	④
AGE08025 * 48V	B	48	28.0~56.0	0.21	5000	1.69	60.0	9.6	0.38	48	⑤

● Drawing & Panel Cut Outs



● Characteristic Curves



80

AGD series

80X80X25mm



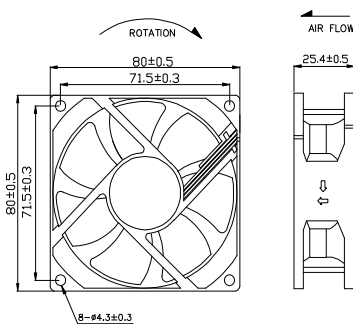
● General Specification

- Material ----- Frame & Impeller : PBT (UL94V-0)
- Operation Temp. -- Two ball bearing : -10°C~70°C
Fluid bearing : -10°C~50°C
- Lead Wires ----- UL 1007 AWG#24 (2 wires) / 26 (3 wires) / 28 (4 wires)
Red Wire : + Yellow Wire : Tach signal
Black Wire : - Blue Wire : PWM control
- Weight ----- 82g

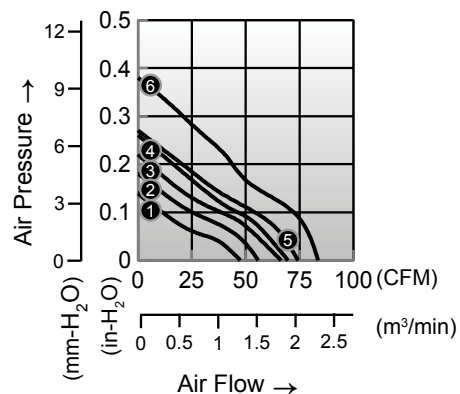
● Specification *Bearing system B:two ball bearing F:fluid bearing

Model	*Bearing System	Rated Voltage	Operating Voltage	Rated Current	Rated Speed	Maximum Air Flow	Maximum Air Pressure	Sound Level	P-Q Curve		
P/N	B / F	V	V	A	RPM	m³/min	CFM	mm-H₂O	In-H₂O	dB-A	No.
AGD08025B12J	B	12	12 7.0~13.2	0.20	3500	1.35	47.5	5.01	0.20	31	①
AGD08025B12I	B	12	12 7.0~13.2	0.32	4000	1.58	55.8	6.28	0.25	31	②
AGD08025B12L	B	12	12 7.0~13.2	0.40	4500	1.88	66.4	7.64	0.30	39	③
AGD08025B12M	B	12	12 7.0~13.2	0.65	5000	1.98	69.9	9.26	0.36	45	④
AGD08025B12H	B	12	12 7.0~13.2	0.81	5500	2.10	74.3	9.64	0.38	48	⑤
AGD08025B12U	B	12	12 7.0~13.2	1.00	6500	2.37	83.6	13.46	0.53	57	⑥
AGD08025B24J	B	24	14.0~26.4	0.12	3500	1.35	47.5	5.01	0.20	31	①
AGD08025B24I	B	24	14.0~26.4	0.16	4000	1.58	55.8	6.28	0.25	31	②
AGD08025B24L	B	24	14.0~26.4	0.22	4500	1.88	66.4	7.64	0.30	39	③
AGD08025B24M	B	24	14.0~26.4	0.32	5000	1.98	69.9	9.26	0.36	45	④
AGD08025B24H	B	24	14.0~26.4	0.45	5500	2.10	74.3	9.64	0.38	48	⑤
AGD08025B24U	B	24	14.0~26.4	0.51	6500	2.37	83.6	13.46	0.53	57	⑥
AGD08025B48J	B	48	28.0~56.0	0.10	3500	1.35	47.5	5.01	0.20	37	①
AGD08025B48 I	B	48	28.0~56.0	0.15	4000	1.58	55.8	6.28	0.25	44	②
AGD08025B48L	B	48	28.0~56.0	0.17	4500	1.88	66.4	7.64	0.30	46	③
AGD08025B48M	B	48	28.0~56.0	0.19	5000	1.98	69.9	9.26	0.36	49	④
AGD08025B48H	B	48	28.0~56.0	0.29	5500	2.10	74.3	9.64	0.38	51	⑤
AGD08025B48U	B	48	28.0~56.0	0.60	6500	2.37	83.6	13.46	0.53	57	⑥

● Drawing & Panel Cut Outs



● Characteristic Curves



80

AGC series

80X80X25mm



● General Specification

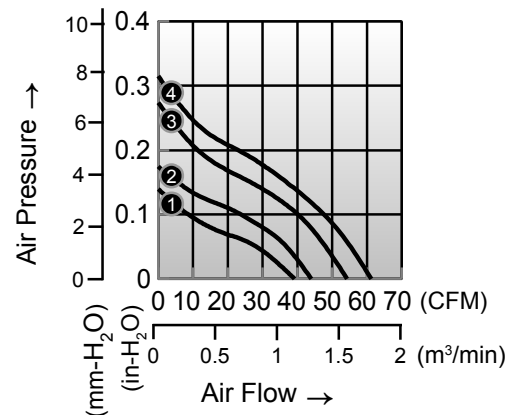
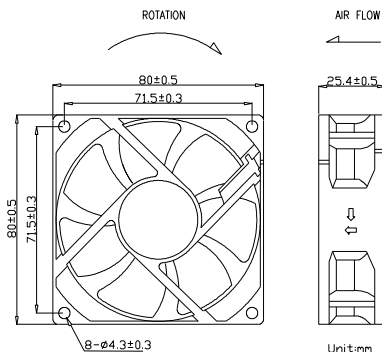
- Material ----- Frame & Impeller : PBT (UL94V-0)
- Operation Temp. -- Two ball bearing : -10°C~70°C
Fluid bearing : -10°C~50°C
- Lead Wires ----- UL 1007 AWG#24 (2 wires) / 26 (3 wires) / 28 (4 wires)
Red Wire : + Yellow Wire : Tach signal
Black Wire : - Blue Wire : PWM control
- Weight ----- 85g

● Specification *Bearing system B:two ball bearing F:fluid bearing

Model	*Bearing System	Rated Voltage	Operating Voltage	Rated Current	Rated Speed	Maximum Air Flow	Maximum Air Pressure	Sound Level	P-Q Curve		
P/N	B / F	V	V	A	RPM	m ³ /min	CFM	mm-H ₂ O	In-H ₂ O	dB-A	No.
AGC08025 * 12L	B / F	12	7.0~13.2	0.14	2700	0.98	34.6	3.5	0.14	28	①
AGC08025 * 12M	B / F	12	7.0~13.2	0.20	3000	1.09	38.5	4.4	0.17	31	②
AGC08025 * 12H	B / F	12	7.0~13.2	0.24	3600	1.54	54.3	7.0	0.28	36	③
AGC08025 * 12U	B / F	12	7.0~13.2	0.44	4300	1.73	61.2	8.2	0.32	40	④
AGC08025 * 24J	B / F	24	14.0~26.4	0.08	2700	0.98	34.6	3.5	0.14	28	①
AGC08025 * 24L	B / F	24	14.0~26.4	0.11	3000	1.09	38.5	4.4	0.17	31	②
AGC08025 * 24M	B / F	24	14.0~26.4	0.20	3600	1.54	54.3	7.0	0.28	36	③
AGC08025 * 24H	B / F	24	14.0~26.4	0.20	4300	1.73	61.2	8.2	0.32	40	④
AGC08025 * 48J	B / F	48	28.0~56.0	0.05	2700	0.98	34.6	3.5	0.14	28	①
AGC08025 * 48L	B / F	48	28.0~56.0	0.07	3000	1.09	38.5	4.4	0.17	31	②
AGC08025 * 48M	B / F	48	28.0~56.0	0.07	3600	1.54	54.3	7.0	0.28	36	③
AGC08025 * 48H	B / F	48	28.0~56.0	0.11	4300	1.73	61.2	8.2	0.32	40	④

● Drawing & Panel Cut Outs

● Characteristic Curves



80

AGE series

80X80X32mm



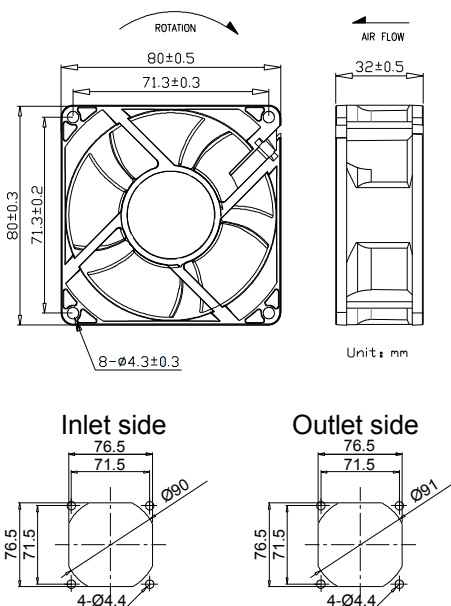
General Specification

- Material ----- Frame & Impeller : PBT (UL94V-0)
- Operation Temp. -- Two ball bearing : -10°C~70°C
Fluid bearing : -10°C~50°C
- Lead Wires ----- UL 1007 AWG#24 (2 wires) / 26 (3 wires) / 28 (4 wires)
Red Wire : + Yellow Wire : Tach signal
Black Wire : - Blue Wire : PWM control
- Weight ----- 120g

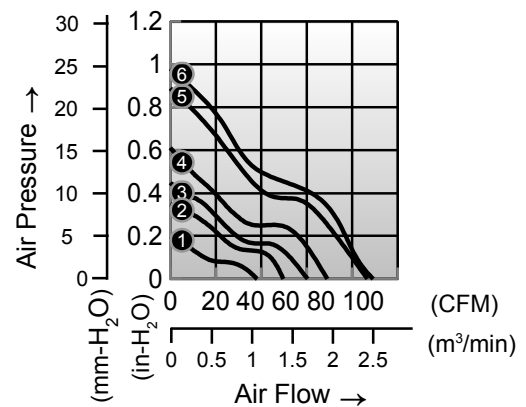
Specification *Bearing system B:two ball bearing F:fluid bearing

Model	*Bearing System	Rated Voltage	Operating Voltage	Rated Current	Rated Speed	Maximum Air Flow	Maximum Air Pressure	Sound Level	P-Q Curve		
P/N	B / F	V	V	A	RPM	m ³ /min	CFM	mm-H ₂ O	In-H ₂ O	dB-A	No.
AGE08032B12J	B	12	12 7.0~13.2	0.15	3000	1.08	38.2	5.02	0.20	31	①
AGE08032B12L	B	12	12 7.0~13.2	0.20	4000	1.41	49.7	8.82	0.35	39	②
AGE08032B12M	B	12	12 7.0~13.2	0.35	4800	1.71	60.4	11.38	0.45	45	③
AGE08032B12H	B	12	12 7.0~13.2	0.50	5500	1.96	69.1	15.53	0.61	48	④
AGE08032B12U	B	12	12 7.0~13.2	0.80	6800	2.46	86.7	22.57	0.89	54	⑤
AGE08032B24J	B	24	14.0~26.4	0.35	4800	0.95	60.4	11.38	0.45	45	③
AGE08032B24L	B	24	14.0~26.4	0.50	5500	1.22	69.1	15.53	0.61	48	④
AGE08032B24M	B	24	14.0~26.4	0.75	7000	1.87	89.2	22.57	0.89	55	⑤

Drawing & Panel Cut Outs



Characteristic Curves



80

AGV series

80X80X38mm

Available on 2020/Q2



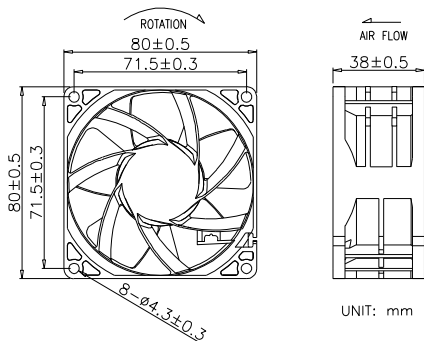
● General Specification

- Material ----- Frame & Impeller : PBT (UL94V-0)
- Operation Temp. -- Two ball bearing : -10°C~70°C
Fluid bearing : -10°C~50°C
- Lead Wires ----- UL 1007 AWG#24 (2 wires) / 24 (3 wires) / 24 (4 wires)
Red Wire : + Yellow Wire : Tach signal
Black Wire : - Blue Wire : PWM control
- Weight ----- 200g

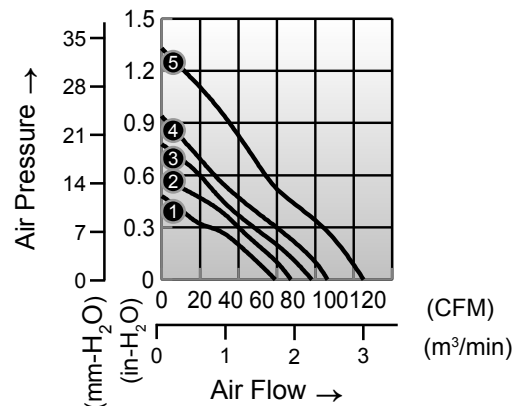
● Specification *Bearing system B:two ball bearing F:fluid bearing

Model	*Bearing System	Rated Voltage	Operating Voltage	Rated Current	Rated Speed	Maximum Air Flow	Maximum Air Pressure	Sound Level	P-Q Curve		
P/N	B / F	V	V	A	RPM	m³/min	CFM	mm-H ₂ O	In-H ₂ O	dB-A	No.
AGV08038B12L	B	12	7.0~13.2	0.16	5200	1.68	59.2	12.1	0.48	44	①
AGV08038B12M	B	12	7.0~13.2	0.40	5900	1.91	67.4	15.0	0.59	48	②
AGV08038B12H	B	12	7.0~13.2	0.52	6800	2.21	78.2	19.8	0.78	52	③
AGV08038B12U	B	12	7.0~13.2	1.00	7500	2.45	86.4	23.8	0.94	55	④
AGV08038B12V	B	12	7.0~13.2	1.72	9000	2.98	105.2	33.9	1.33	60	⑤
AGV08038B24L	B	24	14.0~26.4	0.08	5200	1.68	59.2	12.1	0.48	44	①
AGV08038B24M	B	24	14.0~26.4	0.20	5900	1.91	67.4	15.0	0.59	48	②
AGV08038B24H	B	24	14.0~26.4	0.26	6800	2.21	78.2	19.8	0.78	52	③
AGV08038B24U	B	24	14.0~26.4	0.50	7500	2.45	86.4	23.8	0.94	55	④
AGV08038B24V	B	24	14.0~26.4	0.86	9000	2.98	105.2	33.9	1.33	60	⑤
AGV08038B48L	B	48	28.0~56.0	0.04	5200	1.68	59.2	12.1	0.48	44	①
AGV08038B48M	B	48	28.0~56.0	0.10	5900	1.91	67.4	15.0	0.59	48	②
AGV08038B48H	B	48	28.0~56.0	0.13	6800	2.21	78.2	19.8	0.78	52	③
AGV08038B48U	B	48	28.0~56.0	0.25	7500	2.45	86.4	23.8	0.94	55	④
AGV08038B48V	B	48	28.0~56.0	0.43	9000	2.98	105.2	33.9	1.33	60	⑤

● Drawing & Panel Cut Outs



● Characteristic Curves



80

AGB series

80X80X38mm



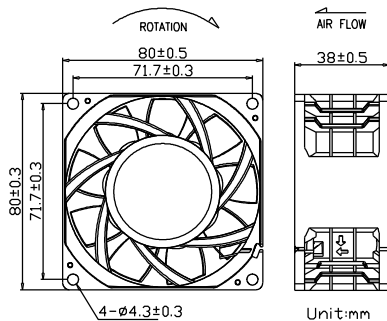
● General Specification

- Material ----- Frame & Impeller : PBT (UL94V-0)
- Operation Temp. -- Two ball bearing : -10°C~70°C
Fluid bearing : -10°C~50°C
- Lead Wires ----- UL 1007 AWG#24 (2 wires) / 24 (3 wires) / 24 (4 wires)
Red Wire : + Yellow Wire : Tach signal
Black Wire : - Blue Wire : PWM control
- Weight ----- 210g

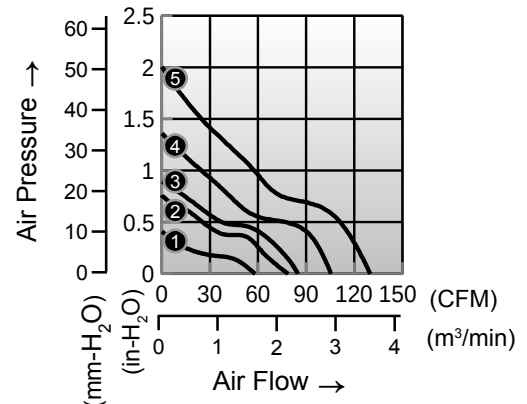
● Specification *Bearing system B:two ball bearing F:fluid bearing

Model	*Bearing System	Rated Voltage	Operating Voltage	Rated Current	Rated Speed	Maximum Air Flow	Maximum Air Pressure	Sound Level	P-Q Curve		
P/N	B / F	V	V	A	RPM	m ³ /min	CFM	mm-H ₂ O	In-H ₂ O	dB-A	No.
AGB08038B12L	B	12	7.0~13.2	0.40	4200	1.65	58.2	10.4	0.41	45	①
AGB08038B12M	B	12	7.0~13.2	0.76	5600	2.23	78.8	19.3	0.76	53	②
AGB08038B12H	B	12	7.0~13.2	1.00	6100	2.40	84.8	22.7	0.89	56	③
AGB08038B12U	B	12	7.0~13.2	1.50	7500	2.99	105.5	34.5	1.36	62	④
AGB08038B12V	B	12	7.0~13.2	2.70	9000	3.68	130.0	50.9	2.00	66	⑤
AGB08038B24L	B	24	14.0~26.4	0.25	4200	1.65	58.2	10.4	0.41	45	①
AGB08038B24M	B	24	14.0~26.4	0.35	5600	2.23	78.8	19.3	0.76	53	②
AGB08038B24H	B	24	14.0~26.4	0.45	6100	2.40	84.8	22.7	0.89	56	③
AGB08038B24U	B	24	14.0~26.4	0.82	7500	2.99	105.5	34.5	1.36	62	④
AGB08038B24V	B	24	14.0~26.4	1.40	9000	3.68	130.0	50.9	2.00	66	⑤
AGB08038B48L	B	48	28.0~56.0	0.23	4200	1.65	58.2	10.4	0.41	45	①
AGB08038B48M	B	48	28.0~56.0	0.33	5600	2.23	78.8	19.3	0.76	53	②
AGB08038B48H	B	48	28.0~56.0	0.51	6100	2.40	84.8	22.7	0.89	56	③
AGB08038B48U	B	48	28.0~56.0	0.58	7500	2.99	105.5	34.5	1.36	62	④
AGB08038B48V	B	48	28.0~56.0	0.90	9000	3.68	130.0	50.9	2.00	66	⑤

● Drawing & Panel Cut Outs



● Characteristic Curves



80

AGX series

80X80X38mm

Available on 2020/Q2



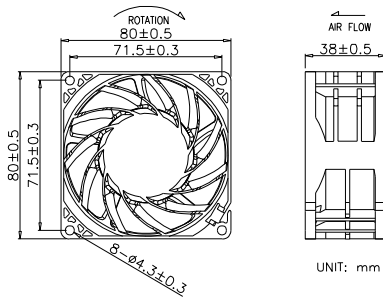
● General Specification

- Material ----- Frame & Impeller : PBT (UL94V-0)
- Operation Temp. -- Two ball bearing : -10°C~70°C
Fluid bearing : -10°C~50°C
- Lead Wires ----- UL 1007 AWG#24 (2 wires) / 24 (3 wires) / 24 (4 wires)
Red Wire : + Yellow Wire : Tach signal
Black Wire : - Blue Wire : PWM control
- Weight ----- 225g

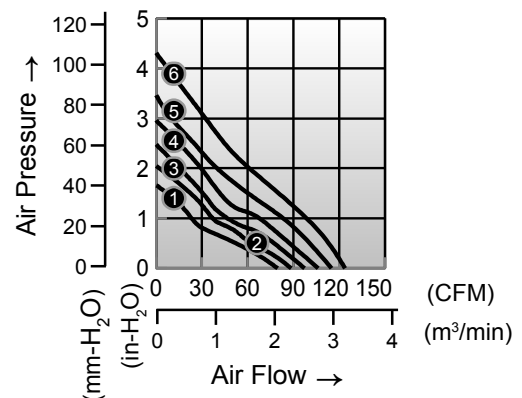
● Specification *Bearing system B:two ball bearing F:fluid bearing

Model	*Bearing System	Rated Voltage	Operating Voltage	Rated Current	Rated Speed	Maximum Air Flow		Maximum Air Pressure		Sound Level	P-Q Curve
P/N	B / F	V	V	A	RPM	m³/min	CFM	mm-H₂O	In-H₂O	dB-A	No.
AGX08038B12V	B	12	7.0~13.2	0.86	9000	2.09	73.8	36.05	1.42	56	①
AGX08038B12V	B	12	7.0~13.2	1.18	10000	2.32	82.0	44.5	1.75	58	②
AGX08038B12V	B	12	7.0~13.2	1.58	11000	2.55	90.2	53.85	2.12	60	③
AGX08038B12V	B	12	7.0~13.2	2.04	12000	2.79	98.4	64.09	2.52	62	④
AGX08038B12V	B	12	7.0~13.2	2.40	13000	3.02	106.6	75.22	2.96	64	⑤
AGX08038B12V	B	12	7.0~13.2	3.20	14500	3.37	118.9	93.57	3.68	66	⑥
AGX08038B24V	B	24	14.0~26.4	0.43	9000	2.09	73.8	36.05	1.42	56	①
AGX08038B24V	B	24	14.0~26.4	0.59	10000	2.32	82.0	44.5	1.75	58	②
AGX08038B24V	B	24	14.0~26.4	0.79	11000	2.55	90.2	53.85	2.12	60	③
AGX08038B24V	B	24	14.0~26.4	1.02	12000	2.79	98.4	64.09	2.52	62	④
AGX08038B24V	B	24	14.0~26.4	1.30	13000	3.02	106.6	75.22	2.96	64	⑤
AGX08038B24V	B	24	14.0~26.4	1.80	14500	3.37	118.9	93.57	3.68	66	⑥
AGX08038B48V	B	48	28.0~56.0	0.22	9000	2.09	73.8	36.05	1.42	56	①
AGX08038B48V	B	48	28.0~56.0	0.30	10000	2.32	82.0	44.5	1.75	58	②
AGX08038B48V	B	48	28.0~56.0	0.40	11000	2.55	90.2	53.85	2.12	60	③
AGX08038B48V	B	48	28.0~56.0	0.51	12000	2.79	98.4	64.09	2.52	62	④
AGX08038B48V	B	48	28.0~56.0	0.65	13000	3.02	106.6	75.22	2.96	64	⑤
AGX08038B48V	B	48	28.0~56.0	0.90	14500	3.37	118.9	93.57	3.68	66	⑥

● Drawing & Panel Cut Outs



● Characteristic Curves



92

AGE series

92X92X25mm

● General Specification

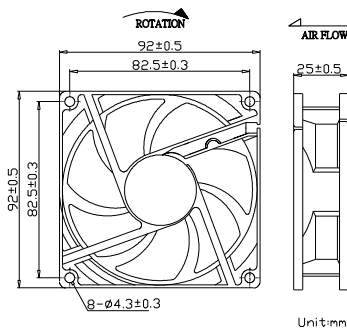
- Material ----- Frame & Impeller : PBT (UL94V-0)
- Operation Temp. -- Two ball bearing : -10°C~70°C
Fluid bearing : -10°C~50°C
- Lead Wires ----- UL 1007 AWG#24 (2 wires) / 26 (3 wires) / 28 (4 wires)
Red Wire : + Yellow Wire : Tach signal
Black Wire : - Blue Wire : PWM control
- Weight ----- 85g



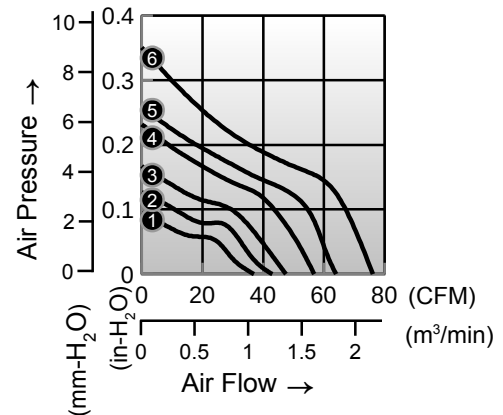
● Specification *Bearing system B:two ball bearing F:fluid bearing

Model	*Bearing System	Rated Voltage	Operating Voltage	Rated Current	Rated Speed	Maximum Air Flow	Maximum Air Pressure	Sound Level	P-Q Curve		
P/N	B / F	V	V	A	RPM	m ³ /min	CFM	mm-H ₂ O	In-H ₂ O	dB-A	No.
AGE09225 * 12J	B / F	12	7.0~13.2	0.12	2100	1.05	37.0	2.39	0.09	25	①
AGE09225 * 12L	B / F	12	7.0~13.2	0.14	2450	1.22	43.0	3.21	0.13	30	②
AGE09225 * 12M	B / F	12	7.0~13.2	0.17	2850	1.35	47.5	4.24	0.17	34	③
AGE09225 * 12H	B / F	12	7.0~13.2	0.20	3200	1.61	56.8	5.89	0.23	38	④
AGE09225 * 12U	B / F	12	7.0~13.2	0.35	3800	1.81	64.0	6.57	0.26	45	⑤
AGE09225 * 12V	B / F	12	7.0~13.2	0.41	4200	2.16	76.1	8.93	0.35	49	⑥
AGE09225 * 24J	B / F	24	14.0~26.4	0.06	2100	1.05	37.0	2.39	0.09	25	①
AGE09225 * 24L	B / F	24	14.0~26.4	0.08	2450	1.22	43.0	3.21	0.13	30	②
AGE09225 * 24M	B / F	24	14.0~26.4	0.10	2850	1.35	47.5	4.24	0.17	34	③
AGE09225 * 24H	B / F	24	14.0~26.4	0.15	3200	1.61	56.8	5.89	0.23	38	④
AGE09225 * 24U	B / F	24	14.0~26.4	0.20	3800	1.81	64.0	6.57	0.26	45	⑤
AGE09225 * 12V	B / F	24	14.0~26.4	0.22	4200	2.16	76.1	8.93	0.35	49	⑥
AGE09225 * 48J	B / F	48	28.0~56.0	0.05	2100	1.05	37.0	2.39	0.09	25	①
AGE09225 * 48L	B / F	48	28.0~56.0	0.06	2450	1.22	43.0	3.21	0.13	30	②
AGE09225 * 48M	B / F	48	28.0~56.0	0.08	2850	1.35	47.5	4.24	0.17	34	③
AGE09225 * 48H	B / F	48	28.0~56.0	0.10	3200	1.61	56.8	5.89	0.23	38	④

● Drawing & Panel Cut Outs



● Characteristic Curves



92

AGC series

92X92X25mm



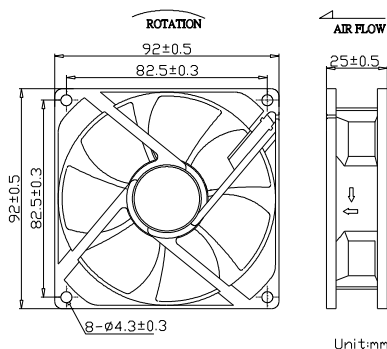
● General Specification

- Material ----- Frame & Impeller : PBT (UL94V-0)
- Operation Temp. -- Two ball bearing : -10°C~70°C
Fluid bearing : -10°C~50°C
- Lead Wires ----- UL 1007 AWG#24 (2 wires) / 26 (3 wires) / 28 (4 wires)
Red Wire : + Yellow Wire : Tach signal
Black Wire : - Blue Wire : PWM control
- Weight ----- 89g

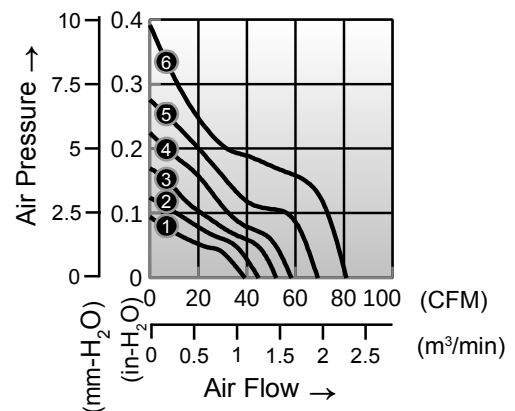
● Specification *Bearing system B:two ball bearing F:fluid bearing

Model	*Bearing System	Rated Voltage	Operating Voltage	Rated Current	Rated Speed	Maximum Air Flow		Maximum Air Pressure		Sound Level	P-Q Curve
						m³/min	CFM	mm-H₂O	In-H₂O		
P/N	B / F	V	V	A	RPM	m³/min	CFM	mm-H₂O	In-H₂O	dB-A	No.
AGC09225 * 12J	B / F	12	7.0~13.2	0.09	2100	1.11	39.2	2.39	0.09	25	①
AGC09225 * 12L	B / F	12	7.0~13.2	0.11	2450	1.27	44.8	3.15	0.12	30	②
AGC09225 * 12M	B / F	12	7.0~13.2	0.14	2850	1.48	52.1	4.30	0.17	34	③
AGC09225 * 12H	B / F	12	7.0~13.2	0.20	3200	1.65	58.3	5.70	0.22	38	④
AGC09225 * 12U	B / F	12	7.0~13.2	0.30	3800	1.96	69.2	7.00	0.28	45	⑤
AGC09225 * 12V	B / F	12	7.0~13.2	0.41	4500	2.29	81.0	9.94	0.40	49	⑥
AGC09225 * 24J	B / F	24	14.0~26.4	0.06	2100	1.11	39.2	2.39	0.09	25	①
AGC09225 * 24L	B / F	24	14.0~26.4	0.08	2450	1.27	44.8	3.15	0.12	30	②
AGC09225 * 24M	B / F	24	14.0~26.4	0.13	2850	1.48	52.1	4.30	0.17	34	③
AGC09225 * 24H	B / F	24	14.0~26.4	0.15	3200	1.65	58.3	5.70	0.22	38	④
AGC09225 * 24U	B / F	24	14.0~26.4	0.20	3800	1.96	69.2	7.00	0.28	45	⑤
AGC09225 * 48J	B / F	48	28.0~56.0	0.05	2100	1.11	39.2	2.39	0.09	25	①
AGC09225 * 48L	B / F	48	28.0~56.0	0.06	2450	1.27	44.8	3.15	0.12	30	②
AGC09225 * 48M	B / F	48	28.0~56.0	0.08	2850	1.48	52.1	4.30	0.17	34	③
AGC09225 * 48H	B / F	48	28.0~56.0	0.12	3200	1.65	58.3	5.70	0.22	38	④
AGC09225 * 48U	B / F	48	28.0~56.0	0.15	3800	1.96	69.2	7.00	0.28	45	⑤

● Drawing & Panel Cut Outs



● Characteristic Curves



92

AGD series

92X92X25mm



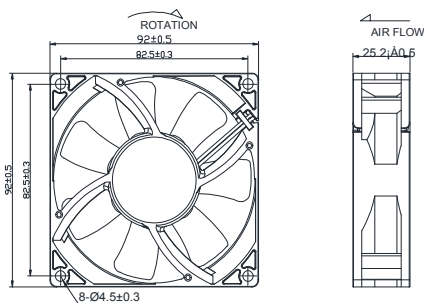
● General Specification

- Material ----- Frame & Impeller : PBT (UL94V-0)
- Operation Temp. -- Two ball bearing : -10°C~70°C
Fluid bearing : -10°C~50°C
- Lead Wires ----- UL 1007 AWG#24 (2 wires) / 26 (3 wires) / 28 (4 wires)
Red Wire : + Yellow Wire : Tach signal
Black Wire : - Blue Wire : PWM control
- Weight ----- 89g

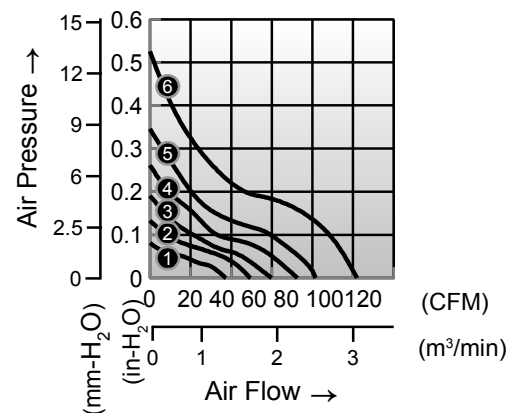
● Specification *Bearing system B:two ball bearing F:fluid bearing

Model	*Bearing System	Rated Voltage	Operating Voltage	Rated Current	Rated Speed	Maximum Air Flow	Maximum Air Pressure	Sound Level	P-Q Curve		
P/N	B / F	V	V	A	RPM	m ³ /min	CFM	mm-H ₂ O	In-H ₂ O	dB-A	No.
AGD09225B12J	B	12	7.0~13.2	0.10	1800	1.05	37.3	2.05	0.08	25	①
AGD09225B12L	B	12	7.0~13.2	0.12	2300	1.40	49.5	3.38	0.13	31	②
AGD09225B12M	B	12	7.0~13.2	0.21	2800	1.48	59.9	4.86	0.19	37	③
AGD09225B12H	B	12	7.0~13.2	0.32	3300	2.06	72.7	6.65	0.26	42	④
AGD09225B12U	B	12	7.0~13.2	0.40	3800	2.31	81.5	8.76	0.34	46	⑤
AGD09225B12V	B	12	7.0~13.2	0.75	4800	2.91	102.6	13.35	0.40	53	⑥
AGD09225B24J	B	24	14.0~26.4	0.08	1800	1.05	37.3	2.05	0.08	25	①
AGD09225B24L	B	24	14.0~26.4	0.10	2300	1.40	49.5	3.38	0.13	31	②
AGD09225B24M	B	24	14.0~26.4	0.12	2800	1.48	59.9	4.86	0.19	37	③
AGD09225B24H	B	24	14.0~26.4	0.18	3300	2.06	72.7	6.65	0.26	42	④
AGD09225B24U	B	24	14.0~26.4	0.25	3800	2.31	81.5	8.76	0.34	46	⑤
AGD09225B24V	B	24	14.0~26.4	0.40	4800	2.91	102.6	13.35	0.53	53	⑥

● Drawing & Panel Cut Outs



● Characteristic Curves



92

AGE series

92X92X32mm



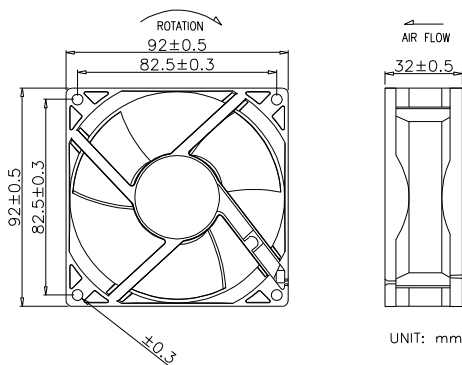
General Specification

- Material ----- Frame & Impeller : PBT (UL94V-0)
- Operation Temp. -- Two ball bearing : -10°C~70°C
Fluid bearing : -10°C~50°C
- Lead Wires ----- UL 1007 AWG#24 (2 wires) / 26 (3 wires) / 28 (4 wires)
Red Wire : + Yellow Wire : Tach signal
Black Wire : - Blue Wire : PWM control
- Weight ----- 110g

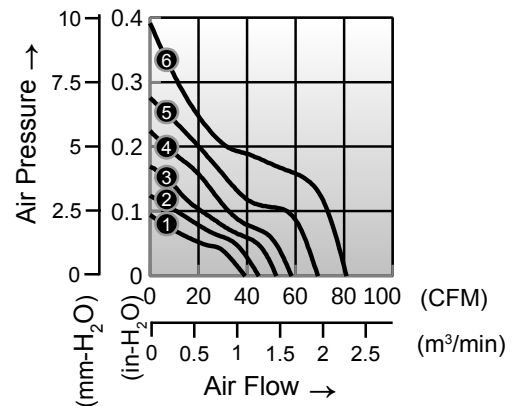
Specification *Bearing system B:two ball bearing F:fluid bearing

Model	*Bearing System	Rated Voltage	Operating Voltage	Rated Current	Rated Speed	Maximum Air Flow		Maximum Air Pressure		Sound Level	P-Q Curve
P/N	B / F	V	V	A	RPM	m ³ /min	CFM	mm-H ₂ O	In-H ₂ O	dB-A	No.
AGE09232B12J	B	12	7.0~13.2	0.04	2100	1.09	38.6	2.37	0.09	25	①
AGE09232B12L	B	12	7.0~13.2	0.06	2450	1.27	45.0	3.22	0.13	30	②
AGE09232B12M	B	12	7.0~13.2	0.10	2850	1.48	52.3	4.36	0.17	34	③
AGE09232B12H	B	12	7.0~13.2	0.14	3200	1.66	58.7	5.49	0.22	38	④
AGE09232B12U	B	12	7.0~13.2	0.24	3800	1.97	69.7	7.74	0.30	45	⑤
AGE09232B12V	B	12	7.0~13.2	0.40	4500	2.32	82.0	11.54	0.45	44	⑥
AGE09232B24J	B	24	14.0~26.4	0.02	2100	1.09	38.6	2.37	0.09	25	①
AGE09232B24L	B	24	14.0~26.4	0.03	2450	1.27	45.0	3.22	0.13	30	②
AGE09232B24M	B	24	14.0~26.4	0.05	2850	1.48	52.3	4.36	0.17	34	③
AGE09232B24H	B	24	14.0~26.4	0.07	3200	1.66	58.7	5.49	0.22	38	④
AGE09232B24U	B	24	14.0~26.4	0.12	3800	1.97	69.7	7.74	0.30	45	⑤
AGE09232B24V	B	24	14.0~26.4	0.20	4500	2.32	82.0	11.54	0.45	44	⑥

Drawing & Panel Cut Outs



Characteristic Curves



92

AGB series

92X92X38mm



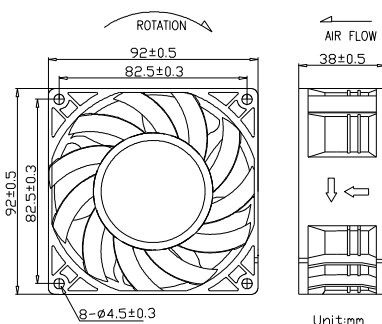
● General Specification

- Material ----- Frame & Impeller : PBT (UL94V-0)
- Operation Temp. -- Two ball bearing : -10°C~70°C
Fluid bearing : -10°C~50°C
- Lead Wires ----- UL 1007 AWG#24 (2 wires) / 24 (3 wires) / 24 (4 wires)
Red Wire : + Yellow Wire : Tach signal
Black Wire : - Blue Wire : PWM control
- Weight ----- 200g

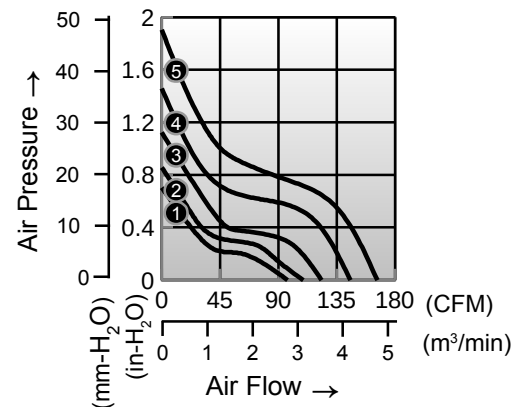
● Specification *Bearing system B:two ball bearing F:fluid bearing

Model	*Bearing System	Rated Voltage	Operating Voltage	Rated Current	Rated Speed	Maximum Air Flow		Maximum Air Pressure		Sound Level	P-Q Curve
P/N	B / F	V	V	A	RPM	m³/min	CFM	mm-H ₂ O	In-H ₂ O	dB-A	No.
AGB09238B12L	B	12	7.0~13.2	0.50	4300	2.75	97.1	17.83	0.70	52	①
AGB09238B12M	B	12	7.0~13.2	0.90	5000	3.09	109.2	21.75	0.86	58	②
AGB09238B12H	B	12	7.0~13.2	1.20	6000	3.50	123.4	28.53	1.12	64	③
AGB09238B12U	B	12	7.0~13.2	2.50	7000	4.12	145.6	37.06	1.46	67	④
AGB09238B12V	B	12	7.0~13.2	2.95	8000	4.71	166.4	48.40	1.91	72	⑤
AGB09238B24L	B	24	14.0~26.4	0.35	4300	2.75	97.1	17.83	0.70	52	①
AGB09238B24M	B	24	14.0~26.4	0.45	5000	3.09	109.2	21.75	0.86	58	②
AGB09238B24H	B	24	14.0~26.4	0.76	6000	3.50	123.4	28.53	1.12	64	③
AGB09238B24U	B	24	14.0~26.4	1.10	7000	4.12	145.6	37.06	1.46	67	④
AGB09238B24V	B	24	14.0~26.4	1.70	8000	4.71	166.4	48.40	1.91	72	⑤
AGB09238B48L	B	48	28.0~56.0	0.24	4300	2.75	97.1	17.83	0.70	52	①
AGB09238B48M	B	48	28.0~56.0	0.28	5000	3.09	109.2	21.75	0.86	58	②
AGB09238B48H	B	48	28.0~56.0	0.41	6000	3.50	123.4	28.53	1.12	64	③
AGB09238B48U	B	48	28.0~56.0	0.72	7000	4.12	145.6	37.06	1.46	67	④
AGB09238B48V	B	48	28.0~56.0	0.94	8000	4.71	166.4	48.40	1.91	72	⑤

● Drawing & Panel Cut Outs



● Characteristic Curves

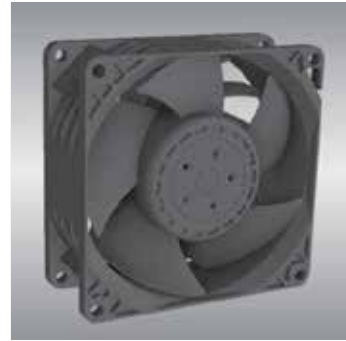


92

AGX series

92X92X38mm

Available on 2020/Q2



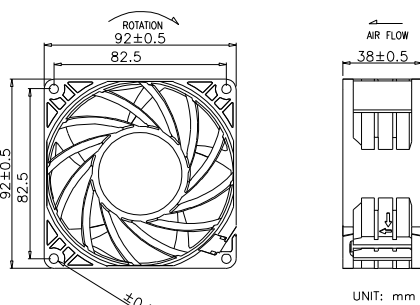
● General Specification

- Material ----- Frame & Impeller : PBT (UL94V-0)
- Operation Temp. -- Two ball bearing : -10°C~70°C
Fluid bearing : -10°C~50°C
- Lead Wires ----- UL 1007 AWG#24 (2 wires) / 24 (3 wires) / 24 (4 wires)
Red Wire : + Yellow Wire : Tach signal
Black Wire : - Blue Wire : PWM control
- Weight ----- 225g

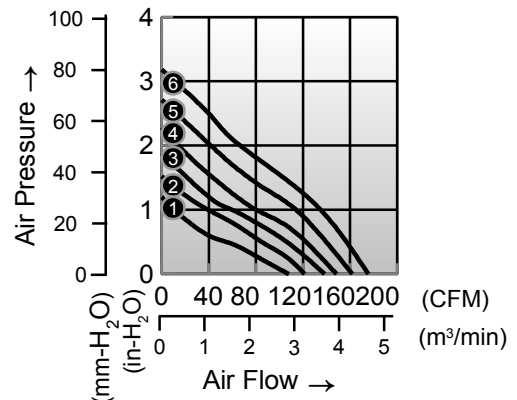
● Specification *Bearing system B:two ball bearing F:fluid bearing

Model	*Bearing System	Rated Voltage	Operating Voltage	Rated Current	Rated Speed	Maximum Air Flow	Maximum Air Pressure	Sound Level	P-Q Curve		
P/N	B / F	V	V	A	RPM	m³/min	CFM	mm-H₂O	In-H₂O	dB-A	No.
AGX09238B12L	B	12	7.0~13.2	0.92	8000	3.06	108.0	30.60	1.20	59	①
AGX09238B12M	B	12	7.0~13.2	1.32	9000	3.44	121.5	38.73	1.52	61	②
AGX09238B12H	B	12	7.0~13.2	1.8	10000	3.82	135.0	47.81	1.88	63	③
AGX09238B12U	B	12	7.0~13.2	2.4	11000	4.21	148.5	57.85	2.28	66	④
AGX09238B12V	B	12	7.0~13.2	3.12	12000	4.59	162.0	68.85	2.71	68	⑤
AGX09238B24L	B	24	14.0~26.4	0.46	8000	3.06	108.0	30.60	1.20	59	①
AGX09238B24M	B	24	14.0~26.4	0.66	9000	3.44	121.5	38.73	1.52	61	②
AGX09238B24H	B	24	14.0~26.4	0.9	10000	3.82	135.0	47.81	1.88	63	③
AGX09238B24U	B	24	14.0~26.4	1.2	11000	4.21	148.5	57.85	2.28	66	④
AGX09238B24V	B	24	14.0~26.4	1.56	12000	4.59	162.0	68.85	2.71	68	⑤
AGX09238B24W	B	24	14.0~26.4	1.98	13000	4.97	175.5	80.80	3.18	69	⑥
AGX09238B48L	B	48	28.0~56.0	0.23	8000	3.06	108.0	30.60	1.20	59	①
AGX09238B48M	B	48	28.0~56.0	0.33	9000	3.44	121.5	38.73	1.52	61	②
AGX09238B48H	B	48	28.0~56.0	0.45	10000	3.82	135.0	47.81	1.88	63	③
AGX09238B49U	B	48	28.0~56.0	0.6	11000	4.21	148.5	57.85	2.28	66	④
AGX09238B50V	B	48	28.0~56.0	0.78	12000	4.59	162.0	68.85	2.71	68	⑤
AGX09238B51W	B	48	28.0~56.0	0.99	13000	4.97	175.5	80.80	3.18	69	⑥

● Drawing & Panel Cut Outs



● Characteristic Curves



120 AGE series

120X120X25mm



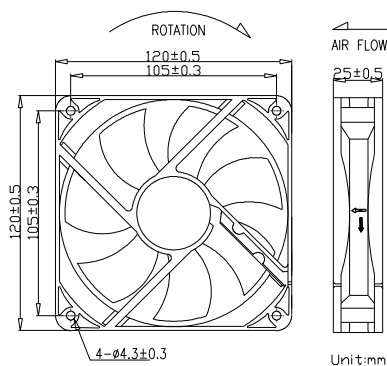
● General Specification

- Material ----- Frame & Impeller : PBT(UL94V-0)
- Operation Temp. -- Two ball bearing : -10°C~70°C
Fluid bearing : -10°C~50°C
- Lead Wires ----- UL 1007 AWG#24 (2 wires) / 26 (3 wires) / 26 (4 wires)
Red Wire : + Yellow Wire : Tach signal
Black Wire : - Blue Wire : PWM control
- Weight ----- 152g

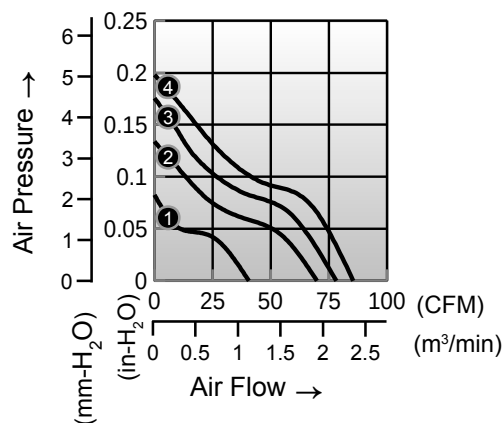
● Specification *Bearing system B:two ball bearing F:fluid bearing

Model	*Bearing System	Rated Voltage	Operating Voltage	Rated Current	Rated Speed	Maximum Air Flow		Maximum Air Pressure		Sound Level	P-Q Curve
P/N	B / F	V	V	A	RPM	m³/min	CFM	mm-H ₂ O	In-H ₂ O	dB-A	No.
AGE12025 * 12J	B / F	12	6.0~13.2	0.08	1200	1.15	40.6	2.1	0.08	19	①
AGE12025 * 12L	B / F	12	6.0~13.2	0.18	1900	1.97	69.6	3.4	0.13	29	②
AGE12025 * 12M	B / F	12	6.0~13.2	0.20	2200	2.21	78.2	4.5	0.18	31	③
AGE12025 * 12H	B / F	12	6.0~13.2	0.28	2500	2.42	85.5	5.0	0.20	36	④
AGE12025 * 24J	B / F	24	14.0~26.4	0.05	1200	1.15	40.6	2.1	0.08	19	①
AGE12025 * 24L	B / F	24	14.0~26.4	0.10	1900	1.97	69.6	3.4	0.13	29	②
AGE12025 * 24M	B / F	24	14.0~26.4	0.18	2200	2.21	78.2	4.5	0.18	31	③
AGE12025 * 24H	B / F	24	14.0~26.4	0.26	2500	2.42	85.5	5.0	0.20	36	④

● Drawing & Panel Cut Outs



● Characteristic Curves



120 AGD series

120X120X25mm



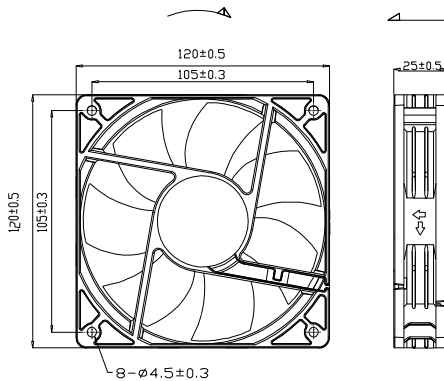
● General Specification

- Material ----- Frame & Impeller : PBT (UL94V-0)
- Operation Temp. -- Two ball bearing : -10°C~70°C
Fluid bearing : -10°C~50°C
- Lead Wires ----- UL 1007 AWG#24 (2 wires) / 26 (3 wires) / 26 (4 wires)
Red Wire : + Yellow Wire : Tach signal
Black Wire : - Blue Wire : PWM control
- Weight ----- 155g

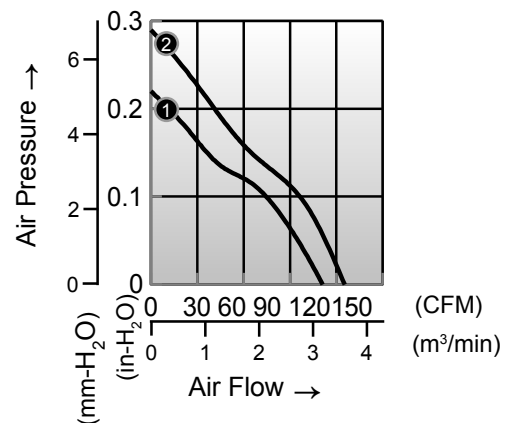
● Specification *Bearing system B:two ball bearing F:fluid bearing

Model	*Bearing System	Rated Voltage	Operating Voltage	Rated Current	Rated Speed	Maximum Air Flow	Maximum Air Pressure	Sound Level	P-Q Curve		
P/N	B / F	V	V	A	RPM	m ³ /min	CFM	mm-H ₂ O	In-H ₂ O	dB-A	No.
AGD12025B12H	B	12	7.0~13.2	0.28	2500	3.15	111.2	6.4	0.25	44	①
AGD12025B12U	B	12	7.0~13.2	0.47	3100	3.55	125.4	7.9	0.31	48	②
AGD12025B24H	B	24	14.0~26.4	0.25	2500	3.15	111.2	6.4	0.25	44	①
AGD12025B24U	B	24	14.0~26.4	0.30	3100	3.55	125.4	7.9	0.31	48	②
AGD12025B48H	B	48	28.0~56.0	0.10	2500	3.15	111.2	6.4	0.25	44	①
AGD12025B48U	B	48	28.0~56.0	0.12	3100	3.55	125.4	7.9	0.31	48	②

● Drawing & Panel Cut Outs



● Characteristic Curves



120 AGC series

120X120X25mm



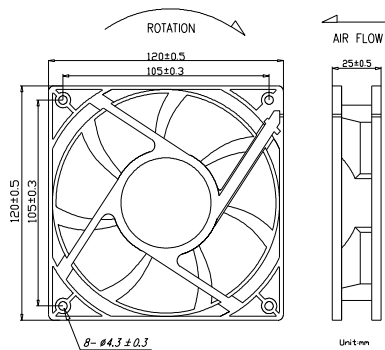
● General Specification

- Material ----- Frame & Impeller : PBT (UL94V-0)
- Operation Temp. -- Two ball bearing : -10°C~70°C
Fluid bearing : -10°C~50°C
- Lead Wires ----- UL 1007 AWG#24 (2 wires) / 26 (3 wires) / 26 (4 wires)
Red Wire : + Yellow Wire : Tach signal
Black Wire : - Blue Wire : PWM control
- Weight ----- 230g

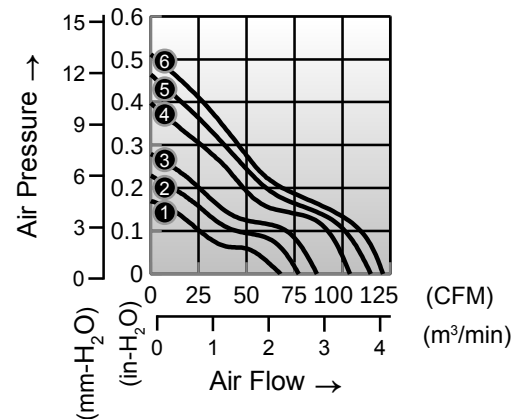
● Specification *Bearing system B:two ball bearing F:fluid bearing

Model	*Bearing System	Rated Voltage	Operating Voltage	Rated Current	Rated Speed	Maximum Air Flow	Maximum Air Pressure	Sound Level	P-Q Curve		
P/N	B / F	V	V	A	RPM	m ³ /min	CFM	mm-H ₂ O	In-H ₂ O	dB-A	No.
AGC12025B12J	B	12	7.0~13.2	0.20	2100	1.92	67.7	4.3	0.17	35	①
AGC12025B12L	B	12	7.0~13.2	0.30	2500	2.19	77.2	5.8	0.23	39	②
AGC12025B12M	B	12	7.0~13.2	0.48	2800	2.46	86.7	7.1	0.28	42	③
AGC12025B12H	B	12	7.0~13.2	0.50	3400	2.94	103.9	10.1	0.40	47	④
AGC12025B12U	B	12	7.0~13.2	0.62	3700	3.25	114.8	11.8	0.46	50	⑤
AGC12025B12V	B	12	7.0~13.2	0.65	4000	3.43	121.1	13.0	0.51	52	⑥
AGC12025B24J	B	24	14.0~26.4	0.12	2100	1.92	67.7	4.3	0.17	35	①
AGC12025B24L	B	24	14.0~26.4	0.17	2500	2.19	77.2	5.8	0.23	39	②
AGC12025B24M	B	24	14.0~26.4	0.23	2800	2.46	86.7	7.1	0.28	42	③
AGC12025B24H	B	24	14.0~26.4	0.28	3400	2.95	103.9	10.1	0.40	47	④
AGC12025B24U	B	24	14.0~26.4	0.30	3700	3.25	114.8	11.8	0.46	50	⑤
AGC12025B24V	B	24	14.0~26.4	0.40	4000	3.43	121.1	13.0	0.51	52	⑥
AGC12025B48L	B	48	28.0~56.0	0.10	2500	2.19	77.2	5.8	0.23	39	②
AGC12025B48M	B	48	28.0~56.0	0.11	2800	2.46	86.7	7.1	0.28	42	③
AGC12025B48H	B	48	28.0~56.0	0.12	3400	2.95	103.9	10.1	0.40	47	④

● Drawing & Panel Cut Outs



● Characteristic Curves



120 AGE series

120X120X38mm



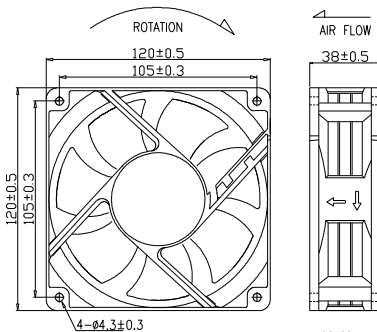
● General Specification

- Material ----- Frame & Impeller : PBT (UL94V-0)
- Operation Temp. -- Two ball bearing : -10°C~70°C
Fluid bearing : -10°C~50°C
- Lead Wires ----- UL 1007 AWG#22 (2 wires) / 24 (3 wires) / 24 (4 wires)
Red Wire : + Yellow Wire : Tach signal
Black Wire : - Blue Wire : PWM control
- Weight ----- 260g

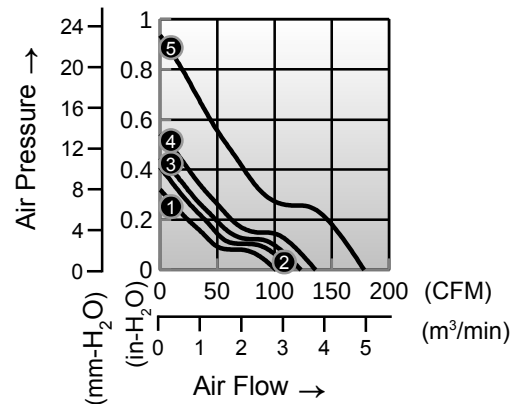
● Specification *Bearing system B:two ball bearing F:fluid bearing

Model	*Bearing System	Rated Voltage	Operating Voltage	Rated Current	Rated Speed	Maximum Air Flow	Maximum Air Pressure	Sound Level	P-Q Curve		
P/N	B / F	V	V	A	RPM	m³/min	CFM	mm-H ₂ O	In-H ₂ O	dB-A	No.
AGE12038B12M	B	12	7.0~13.2	0.18	2300	2.87	101.4	8.1	0.32	38	①
AGE12038B12H	B	12	7.0~13.2	0.40	2600	3.25	114.7	10.4	0.41	41	②
AGE12038B12U	B	12	7.0~13.2	0.75	2900	3.49	123.2	11.3	0.45	44	③
AGE12038B12V	B	12	7.0~13.2	0.80	3200	3.85	135.9	13.8	0.54	48	④
AGE12038B12W	B	12	7.0~13.2	1.55	4200	5.05	178.4	23.8	0.94	54	⑤
AGE12038B24L	B	24	14.0~26.4	0.14	2300	2.87	101.4	8.1	0.32	38	①
AGE12038B24M	B	24	14.0~26.4	0.30	2600	3.25	114.7	10.4	0.41	41	②
AGE12038B24H	B	24	14.0~26.4	0.48	2900	3.49	123.2	11.3	0.45	44	③
AGE12038B24U	B	24	14.0~26.4	0.62	3200	3.85	135.9	13.8	0.54	48	④
AGE12038B24V	B	24	14.0~26.4	0.85	4200	5.05	178.4	23.8	0.94	54	⑤
AGE12038B48I	B	48	28.0~56.0	0.10	2300	2.87	101.4	8.1	0.32	38	①
AGE12038B48J	B	48	28.0~56.0	0.14	2600	3.25	114.7	10.4	0.41	41	②
AGE12038B48L	B	48	28.0~56.0	0.25	2900	3.49	123.2	11.3	0.45	44	③
AGE12038B48M	B	48	28.0~56.0	0.30	3200	3.85	135.9	13.8	0.54	48	④
AGE12038B48H	B	48	28.0~56.0	0.48	4200	5.05	178.4	23.8	0.94	54	⑤

● Drawing & Panel Cut Outs



● Characteristic Curves



120 AGF series

120X120X38mm

● General Specification

- Material ----- Frame : Aluminum, Impeller : PBT (UL94V-0)
- Operation Temp. -- Two ball bearing : -10°C~70°C
Fluid bearing : -10°C~50°C
- Lead Wires ----- UL 1007 AWG#22 (2 wires) / 24 (3 wires) / 24 (4 wires)
Red Wire : + Yellow Wire : Tach signal
Black Wire : - Blue Wire : PWM control
- Weight ----- 320g



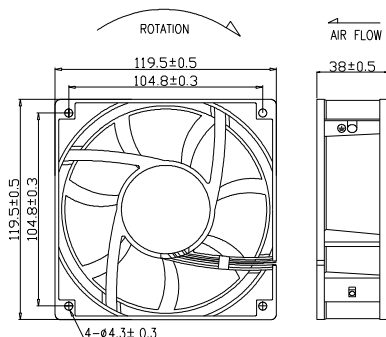
Metal Frame



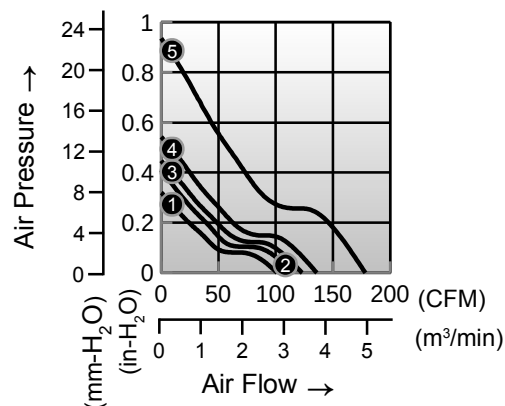
● Specification *Bearing system B:two ball bearing F:fluid bearing

Model	*Bearing System	Rated Voltage	Operating Voltage	Rated Current	Rated Speed	Maximum Air Flow		Maximum Air Pressure		Sound Level	P-Q Curve
						m ³ /min	CFM	mm-H ₂ O	In-H ₂ O		
P/N	B / F	V	V	A	RPM	m ³ /min	CFM	mm-H ₂ O	In-H ₂ O	dB-A	No.
AGF12038B12L	B	12	7.0~13.2	0.40	2600	3.25	114.7	10.4	0.41	41	②
AGF12038B12M	B	12	7.0~13.2	0.50	2900	3.49	123.2	11.3	0.45	44	③
AGF12038B12H	B	12	7.0~13.2	0.80	3200	3.85	135.9	13.8	0.54	48	④
AGF12038B12U	B	12	7.0~13.2	1.60	4200	5.05	178.4	23.8	0.94	54	⑤
AGF12038B24J	B	24	14.0~26.4	0.18	2300	2.87	101.4	8.1	0.32	38	①
AGF12038B24L	B	24	14.0~26.4	0.25	2600	3.25	114.7	10.4	0.41	41	②
AGF12038B24M	B	24	14.0~26.4	0.40	2900	3.49	123.2	11.3	0.45	44	③
AGF12038B24H	B	24	14.0~26.4	0.46	3200	3.85	135.9	13.8	0.54	48	④
AGF12038B24U	B	24	14.0~26.4	0.80	4200	5.05	178.4	23.8	0.94	54	⑤
AGF12038B48J	B	48	28.0~56.0	0.09	2300	2.87	101.4	8.1	0.32	38	①
AGF12038B48L	B	48	28.0~56.0	0.18	2600	3.25	114.7	10.4	0.41	41	②
AGF12038B48M	B	48	28.0~56.0	0.20	2900	3.49	123.2	11.3	0.45	44	③
AGF12038B48H	B	48	28.0~56.0	0.30	3200	3.85	135.9	13.8	0.54	48	④
AGF12038B48U	B	48	28.0~56.0	0.53	4200	5.05	178.4	23.8	0.94	54	⑤

● Drawing & Panel Cut Outs



● Characteristic Curves



120 AGD series

120X120X38mm



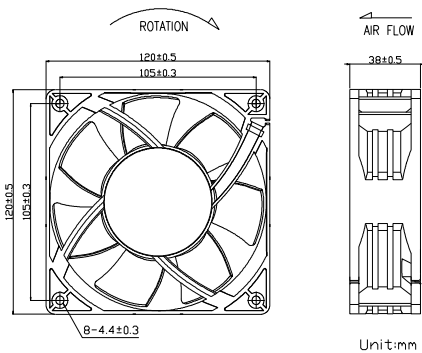
● General Specification

- Material ----- Frame & Impeller : PBT (UL94V-0)
- Operation Temp. -- Two ball bearing : -10°C~70°C
Fluid bearing : -10°C~50°C
- Lead Wires ----- UL 1007 AWG#22 (2 wires) / 24 (3 wires) / 24 (4 wires)
Red Wire : + Yellow Wire : Tach signal
Black Wire : - Blue Wire : PWM control
- Weight ----- 280g

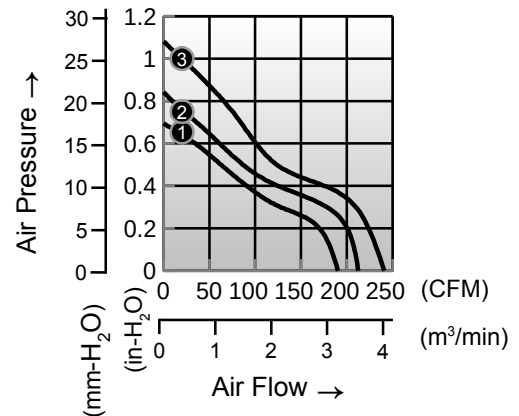
● Specification *Bearing system B:two ball bearing F:fluid bearing

Model	*Bearing System	Rated Voltage	Operating Voltage	Rated Current	Rated Speed	Maximum Air Flow		Maximum Air Pressure		Sound Level	P-Q Curve
						m ³ /min	CFM	mm-H ₂ O	In-H ₂ O		
P/N	B / F	V	V	A	RPM	m ³ /min	CFM	mm-H ₂ O	In-H ₂ O	dB-A	No.
AGD12038B12J	B	12	7.0~13.2	1.50	4100	5.40	190.5	17.6	0.69	56	①
AGD12038B12L	B	12	7.0~13.2	1.75	4600	6.02	212.6	21.4	0.84	59	②
AGD12038B24J	B	24	14.0~26.4	0.70	4100	5.40	190.5	17.6	0.69	56	①
AGD12038B24L	B	24	14.0~26.4	0.85	4600	6.02	212.6	21.4	0.84	59	②
AGD12038B24M	B	24	14.0~26.4	1.45	5200	6.83	241.0	27.5	1.08	62	③
AGD12038B48J	B	48	28.0~56.0	0.41	4100	5.40	190.5	17.6	0.69	56	①
AGD12038B48L	B	48	28.0~56.0	0.47	4600	6.02	212.6	21.4	0.84	59	②
AGD12038B48M	B	48	28.0~56.0	0.55	5200	6.83	241.0	27.5	1.08	62	③

● Drawing & Panel Cut Outs



● Characteristic Curves



120 AGB series

120X120X38mm



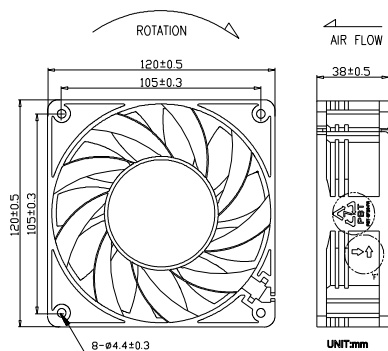
● General Specification

- Material ----- Frame & Impeller : PBT (UL94V-0)
- Operation Temp. -- Two ball bearing : -10°C~70°C
Fluid bearing : -10°C~50°C
- Lead Wires ----- UL 1007 AWG#22 (2 wires) / 22 (3 wires) / 22 (4 wires)
Red Wire : + Yellow Wire : Tach signal
Black Wire : - Blue Wire : PWM control
- Weight ----- 450g

● Specification *Bearing system B:two ball bearing F:fluid bearing

Model	*Bearing System	Rated Voltage	Operating Voltage	Rated Current	Rated Speed	Maximum Air Flow		Maximum Air Pressure		Sound Level	P-Q Curve
						m ³ /min	CFM	mm-H ₂ O	In-H ₂ O		
P/N	B / F	V	V	A	RPM	m ³ /min	CFM	mm-H ₂ O	In-H ₂ O	dB-A	No.
AGB12038B12L	B	12	7.0~13.2	2.00	4000	4.85	171.4	17.8	0.70	60	①
AGB12038B12M	B	12	7.0~13.2	2.50	4800	5.84	206.3	26.2	1.03	65	②
AGB12038B12H	B	12	7.0~13.2	3.88	5500	6.65	234.7	34.4	1.35	69	③
AGB12038B24L	B	24	14.0~26.4	1.30	4000	4.85	171.4	17.8	0.70	60	①
AGB12038B24M	B	24	14.0~26.4	1.80	4800	5.84	206.3	26.2	1.03	65	②
AGB12038B24H	B	24	14.0~26.4	2.50	5500	6.65	234.7	34.4	1.35	69	③
AGB12038B24U	B	24	14.0~26.4	2.72	6200	7.53	265.8	44.2	1.74	72	④
AGB12038B48L	B	48	28.0~56.0	0.60	4000	4.85	171.4	17.8	0.70	60	①
AGB12038B48M	B	48	28.0~56.0	0.90	4800	5.84	206.3	26.2	1.03	65	②
AGB12038B48H	B	48	28.0~56.0	1.20	5500	6.65	234.7	34.4	1.35	69	③
AGB12038B48U	B	48	28.0~56.0	1.30	6200	7.53	265.8	44.2	1.74	72	④

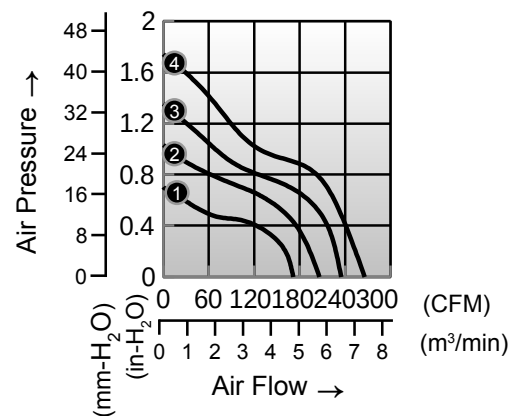
● Drawing & Panel Cut Outs



Inlet side

Outlet side

● Characteristic Curves



140 AGB series

140X140X38mm



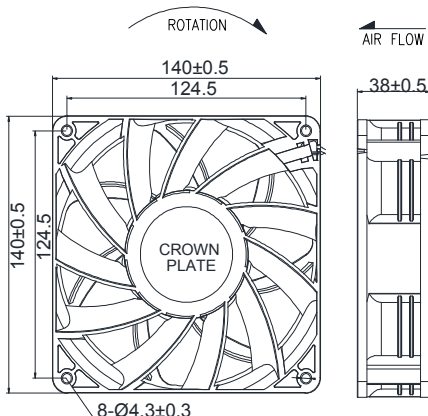
● General Specification

- Material ----- Frame & Impeller : PBT (UL94V-0)
- Operation Temp. -- Two ball bearing : -10°C~70°C
Fluid bearing : -10°C~50°C
- Lead Wires ----- UL 1007 AWG#22 (2 wires) / 22 (3 wires) / 22 (4 wires)
Red Wire : + Yellow Wire : Tach signal
Black Wire : - Blue Wire : PWM control
- Weight ----- 450g

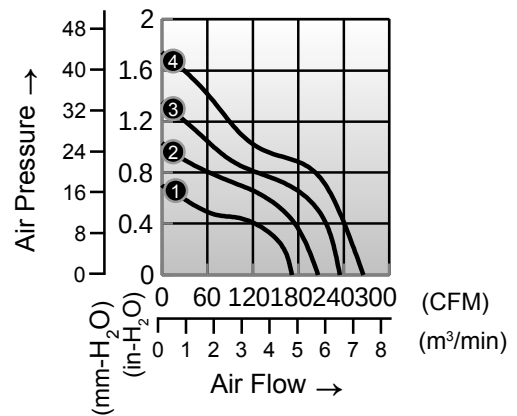
● Specification *Bearing system B:two ball bearing F:fluid bearing

Model	*Bearing System	Rated Voltage	Operating Voltage	Rated Current	Rated Speed	Maximum Air Flow		Maximum Air Pressure		Sound Level	P-Q Curve
						m³/min	CFM	mm-H ₂ O	In-H ₂ O		
P/N	B / F	V	V	A	RPM	m³/min	CFM	mm-H ₂ O	In-H ₂ O	dB-A	No.
AGB14038B12L	B	12	7.0~13.2	2.00	5200	6.00	212.0	30.48	1.20	60	①
AGB14038B12M	B	12	7.0~13.2	2.50	6600	7.70	272.0	49.022	1.93	65	②
AGB14038B12H	B	12	7.0~13.2	3.88	7600	8.78	310.0	65.278	2.57	69	③
AGB14038B24L	B	24	14.0~26.4	1.30	5200	6.00	212.0	30.48	1.20	60	①
AGB14038B24M	B	24	14.0~26.4	1.80	6600	7.70	272.0	49.022	1.93	65	②
AGB14038B24H	B	24	14.0~26.4	2.50	7600	8.78	310.0	65.278	2.57	69	③
AGB14038B48L	B	48	28.0~56.0	0.60	5200	6.00	212.0	30.48	1.20	60	①
AGB14038B48M	B	48	28.0~56.0	0.90	6600	7.70	272.0	49.022	1.93	65	②
AGB14038B48H	B	48	28.0~56.0	1.20	7600	6.65	310.0	65.278	2.57	69	③

● Drawing & Panel Cut Outs



● Characteristic Curves



150 AGE series

150X172X51mm



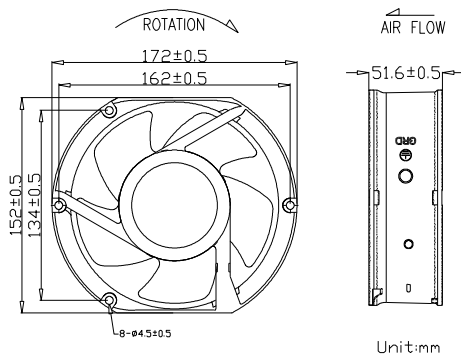
● General Specification

- Material ----- Frame: Aluminum, Impeller : PBT (UL94V-0)
- Operation Temp. -- Two ball bearing : -10°C~70°C
Fluid bearing : -10°C~50°C
- Lead Wires ----- UL 1007 AWG#22 (2 wires) / 22 (3 wires) / 22 (4 wires)
Red Wire : + Yellow Wire : Tach signal
Black Wire : - Blue Wire : PWM control
- Weight ----- 610g

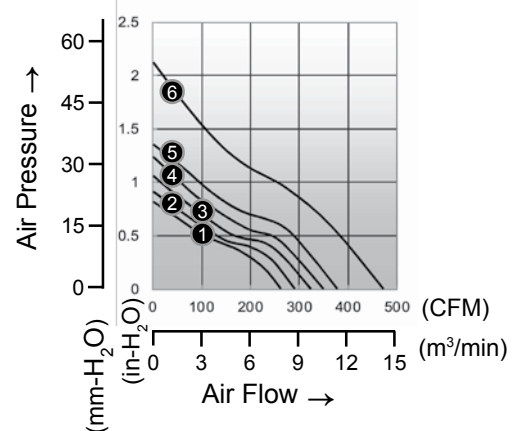
● Specification *Bearing system B:two ball bearing F:fluid bearing

Model	*Bearing System	Rated Voltage	Operating Voltage	Rated Current	Rated Speed	Maximum Air Flow	Maximum Air Pressure	Sound Level	P-Q Curve		
P/N	B / F	V	V	A	RPM	m ³ /min	CFM	mm-H ₂ O	In-H ₂ O	dB-A	No.
AGE15051B24J	B	24	14.0~26.4	0.75	3500	7.44	263.0	20.85	0.82	57	①
AGE15051B24L	B	24	14.0~26.4	1.00	4000	8.24	291.0	23.22	0.91	62	②
AGE15051B24M	B	24	14.0~26.4	1.40	4400	9.14	323.0	26.93	1.06	64	③
AGE15051B24H	B	24	14.0~26.4	1.60	4800	9.90	350.0	31.42	1.24	66	④
AGE15051B24U	B	24	14.0~26.4	2.40	5200	10.70	378.0	34.44	1.36	68	⑤
AGE15051B48J	B	48	28.0~56.0	0.50	3500	7.44	263.0	20.85	0.82	57	①
AGE15051B48L	B	48	28.0~56.0	0.50	4000	8.24	291.0	23.22	0.91	62	②
AGE15051B48M	B	48	28.0~56.0	0.70	4400	9.14	323.0	26.93	1.06	64	③
AGE15051B48H	B	48	28.0~56.0	0.80	4800	9.90	350.0	31.42	1.24	66	④
AGE15051B48U	B	48	28.0~56.0	1.00	5200	10.70	378.0	34.44	1.36	68	⑤
AGE15051B48U	B	48	28.0~56.0	2.30	6500	10.70	472.5	53.81	2.12	73	⑥

● Drawing & Panel Cut Outs



● Characteristic Curves



150 AGF series

150X172X51mm



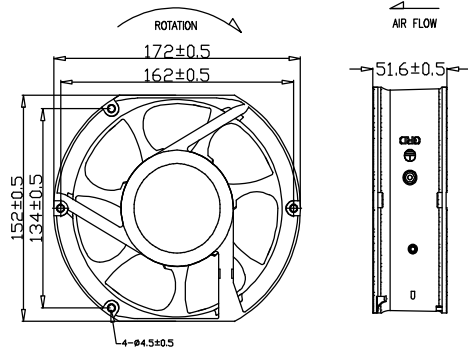
● General Specification

- Material ----- Frame: Aluminum, Impeller : PBT (UL94V-0)
- Operation Temp. -- Two ball bearing : -10°C~70°C
Fluid bearing : -10°C~50°C
- Lead Wires ----- UL 1007 AWG#22 (2 wires) / 22 (3 wires) / 22 (4 wires)
Red Wire : + Yellow Wire : Tach signal
Black Wire : - Blue Wire : PWM control
- Weight ----- 700g

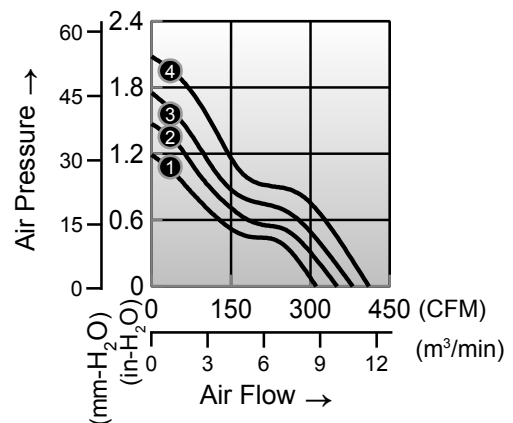
● Specification *Bearing system B:two ball bearing F:fluid bearing

Model	*Bearing System	Rated Voltage	Operating Voltage	Rated Current	Rated Speed	Maximum Air Flow		Maximum Air Pressure		Sound Level	P-Q Curve
						m³/min	CFM	mm-H ₂ O	In-H ₂ O		
P/N	B / F	V	V	A	RPM	m³/min	CFM	mm-H ₂ O	In-H ₂ O	dB-A	No.
AGF15051B24L	B	24	14.0~26.4	1.00	4000	8.80	310.6	23.22	1.19	60	①
AGF15051B24M	B	24	14.0~26.4	1.40	4400	9.93	350.5	26.93	1.47	62	②
AGF15051B24H	B	24	14.0~26.4	1.60	4800	10.77	380.3	31.42	1.75	64	③
AGF15051B24U	B	24	14.0~26.4	2.40	5200	11.63	410.5	34.44	2.08	67	④
AGF15051B48L	B	48	28.0~56.0	0.71	4000	8.80	310.6	23.22	1.19	60	①
AGF15051B48M	B	48	28.0~56.0	0.88	4400	9.93	350.5	26.93	1.47	62	②
AGF15051B48H	B	48	28.0~56.0	1.22	4800	10.77	380.3	31.42	1.75	64	③
AGF15051B48U	B	48	28.0~56.0	1.52	5200	11.63	410.5	34.44	2.08	67	④

● Drawing & Panel Cut Outs



● Characteristic Curves



254 AGE series

254X89mm



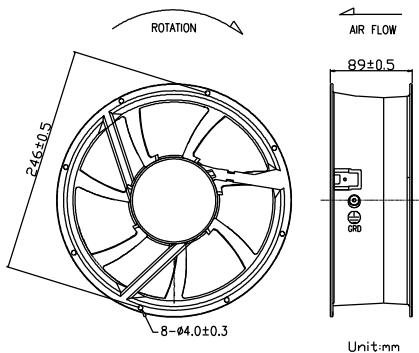
● General Specification

- Material ----- Frame: Aluminum, Impeller : PBT (UL94V-0)
- Operation Temp. -- Two ball bearing : -10°C~70°C
Fluid bearing : -10°C~50°C
- Lead Wires ----- UL 1007 AWG#22 (2 wires) / 22 (3 wires) / 22 (4 wires)
Red Wire : + Yellow Wire : Tach signal
Black Wire : - Blue Wire : PWM control
- Weight ----- 1.6kg

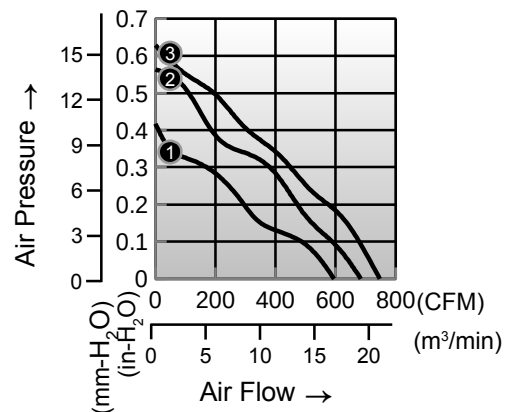
● Specification *Bearing system B:two ball bearing F:fluid bearing

Model	*Bearing System	Rated Voltage	Operating Voltage	Rated Current	Rated Speed	Maximum Air Flow		Maximum Air Pressure		Sound Level	P-Q Curve
P/N	B / F	V	V	A	RPM	m ³ /min	CFM	mm-H ₂ O	In-H ₂ O	dB-A	No.
AGE25489B24L	B	24	14.0~26.4	0.80	1400	16.85	595.0	12.45	0.49	59	①
AGE25489B24M	B	24	14.0~26.4	1.30	1700	19.37	684.0	14.32	0.56	63	②
AGE25489B24H	B	24	14.0~26.4	2.20	2300	21.16	747.0	15.97	0.63	71	③
AGE25489B48L	B	48	28.0~56.0	0.63	1400	16.85	595.0	12.45	0.49	59	①
AGE25489B48M	B	48	28.0~56.0	1.00	1700	19.37	684.0	14.32	0.56	63	②
AGE25489B48H	B	48	28.0~56.0	1.50	2300	21.16	747.0	15.97	0.63	71	③

● Drawing & Panel Cut Outs

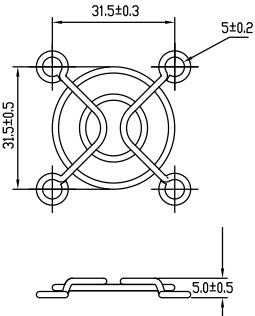


● Characteristic Curves

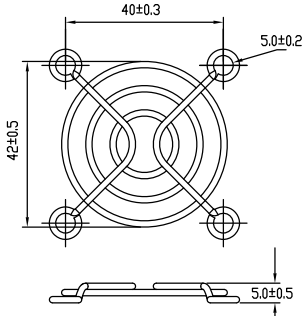


FAN GUARDS

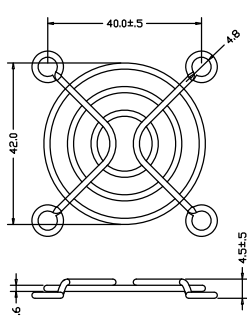
FG40CP (40mm)



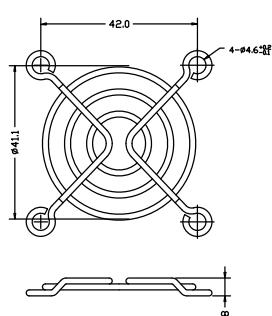
FG50CP (50mm)



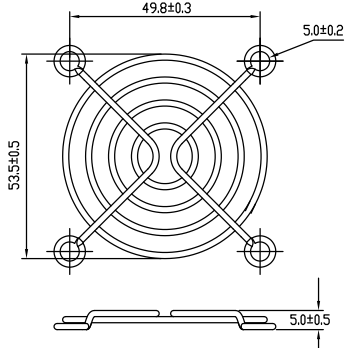
54-1020 (50mm)



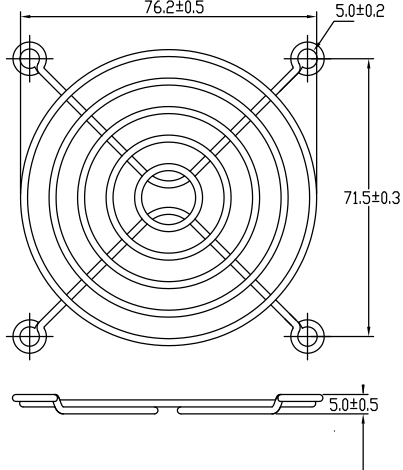
54-1014 (50mm)



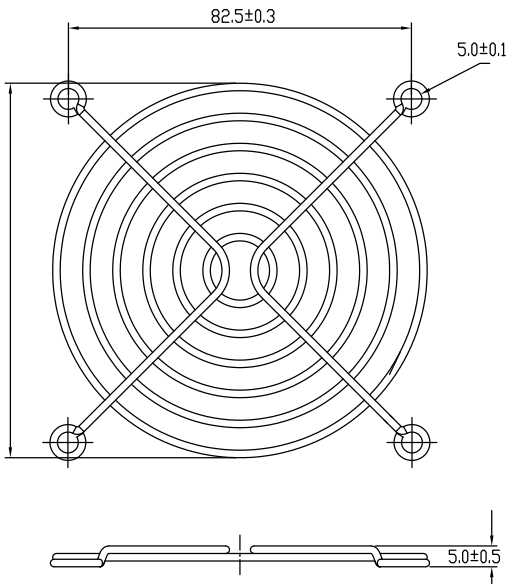
FG60CP (60mm)



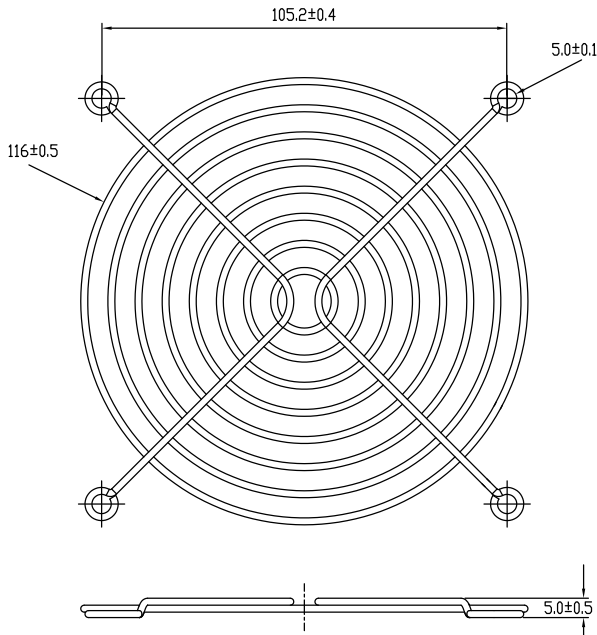
FG80CP (80mm)



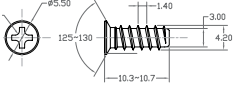
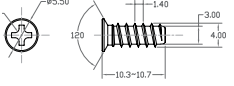
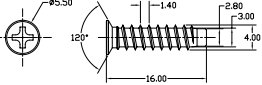
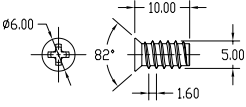
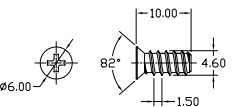
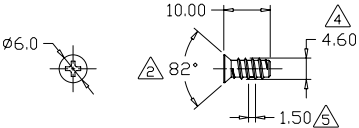
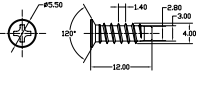
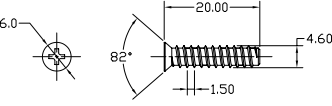
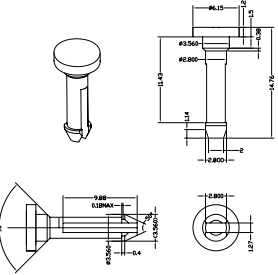
FG92CP (92mm)



FG120CP (120mm)



FAN SCREWS

	60-1250	4.2 x 10.5mm	Nickel
	60-1251	4.2 x 10.5mm	Nickel
	FS4016120	4.0 x 16mm	Steel
	FS51082	5.0 x 10mm	Nickel
	FS461082	4.6 x 10mm	Nickel
	60-1124	4.6 x 10mm	Black Zinc
	FS4012120	4 x 12mm	Nickel
	FS462082	4.60 x 20mm	Zinc Plated
	50-1393	Brass Push Pin	